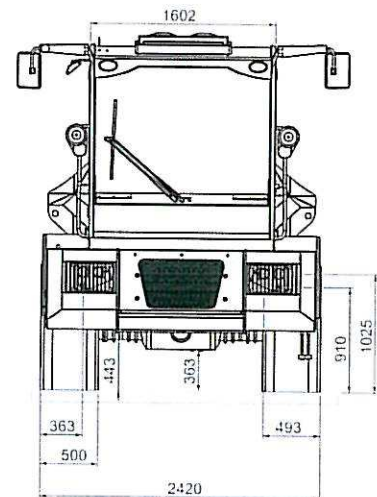
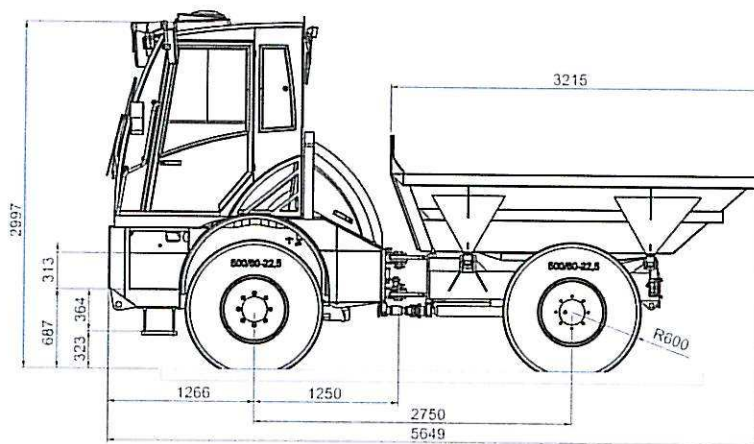


Bergmann Dumper 3009 Three-way-tip



Strong arguments for your advantage

- ▶ high stability thanks to centre articulation
- ▶ swivelling operator's stand
- ▶ electrically hydraulic spring type park brake
- ▶ compact dimensions with low dead weight





Bergmann Dumper 3009 Three-way-tip

Technical Data

Weight / Capacity	Payload	9.000 kg
	Unladen weight	6.200 kg
	Capacity struck	2.800 l
	Capacity heaped	4,8 m ³
	Bucket system	Hydraulical three-way-tip; changeover from rear tip to three-way-tip simple by means of pins
Dimensions	Cabin height	2.997 mm
	Total length	5.650 mm
	Total width	2.420 mm
	Ground clearance	363 mm
Transmission	Hydrostatic 4 wheel drive	
	1. gear	speed I: 0-5 km/h Speed II: 0-11 km/h
	2. gear	speed I: 0-15 km/h Speed II: 0-30 km/h
	Steering	Hydraulic articulation over priority valve Articulation : 35° left & right
Axles / Brakes	Front axle rigid, rear axle oscillating stored +/- 12°, maintenance-free-oil-bath multi-disc brake with automatic adjustment in the front axle, hydraulically applicated locking brake acting over articulated shaft on front and rear axle.	
Engine	4-Zylinder Kubota Diesel engine -water cooled- power 74,0 KW at 2.600 rpm.	
Tyres	Standard, all tyres 500/60-22,5	
Engine hood	Fast and easy maintenance and service thanks to engine hood To be opened in 2 sections	
Quantity	fuel 120 L hydraulic oil 80 L	
Electrics	24V electric system with main switch, fuel and hour counter, control lamps for engine oil, park brake, direction indicator, battery charge control, hydraulic filter,	
Standard equipment	Comfortable driver's cab with air-suspended driver's seat, swivelling operator's stand, lighting system according to German traffic regulations, bucket from abraision proof fine grain steel, flashing yellow light, cigarette lighter, roller blind for front windscreen, device for radio, loudspeaker and antenna EC declaration of conformity	