



Articulated Dump Truck

# A300D



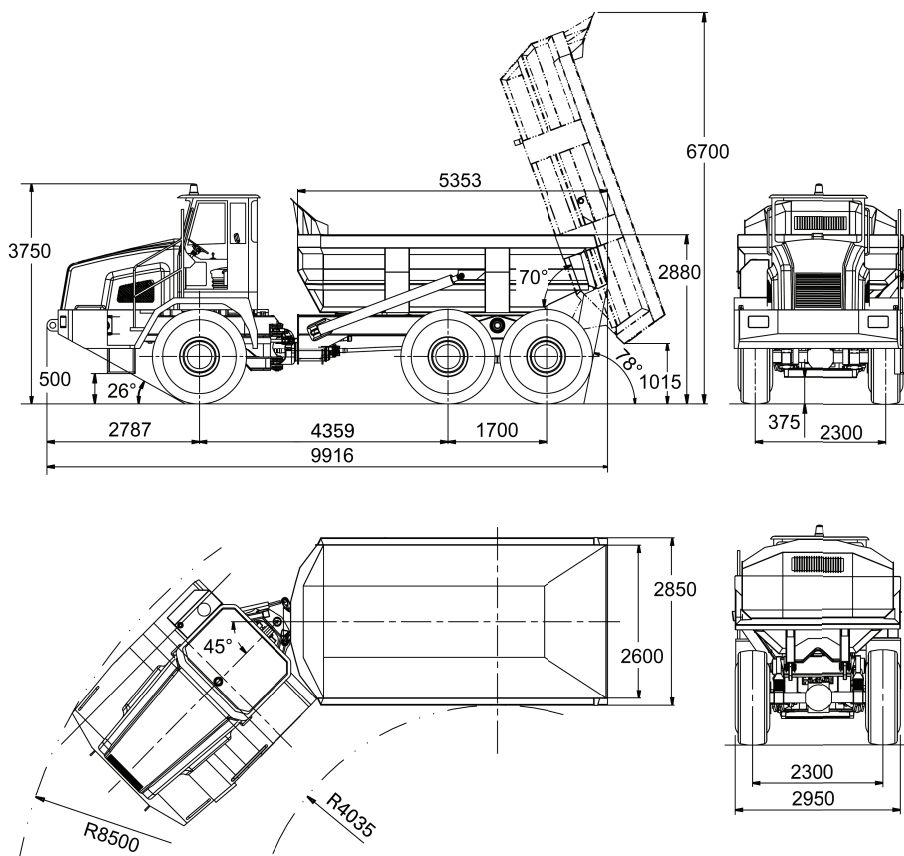
**High mobility with high payload, the TRXBUILD A300D goes tough on the job, whenever the going gets tough**

The TRXBUILD A300D Articulated Dump Truck is specially designed and developed for operations on harsh, muddy and adverse road conditions in mining, hydro-infrastructure, hydro-electricity and tunnel projects. Comes complete with dual circuit disc brakes for better braking performance, it is also capable of 6X6 drive configuration when you need to get out of any sticky situation.



**BZK**

**TRXBUILD™**  
ENGINEERING PRODUCTIVITY



#### ENGINE - Cummins QSM 11-C330

In line 6 Cyl, Four - stroke water cooled Diesel Engine, Electronic control Turbocharged and Charged air cooled Capacity - 10.8 lit

Max Power - 246 Kw @ 2,100 rpm  
Max Torque - 1,674 Nm @ 1,400 rpm

#### TRANSMISSION - ZF 6WG260

Electronically controlled automatic transmission  
6 forward 3 Reverse

#### DRIVE AXLE

Heavy duty axles with fully floating axle shafts and out board planetary reduction gears  
Total Reduction ratio 18.28 : 1

#### STEERING

Fully hydraulic steering system

#### BRAKES

Dual circuit, air over hydraulic disc brake

#### SUSPENSION

Ft-Hydro pneumatic suspension  
Rr-Each axle is coupled to the frame by 4 rubber bush links, pivoting inter axle balance beams equalize load on each rear axle

#### BODY HOIST

Twin single stage double acting cylinders mounted on the outer chassis frame

#### FRAME

Rectangular box section beams forming the main side and cross member

#### CABIN

Ergonomically designed, all steel construction,  
Centrally-positioned drive cabin  
Insulated against heat and noise  
Comprehensive Instrumentation suite  
Good all round visibility and fully protected by automotive glass and FOPS,ROPS  
Integrated air conditioner

#### DUMP BODY

Constructed from high strength steel with large U section stiffeners and a high tensile steel floor.  
Rubber cushion between body and frame

#### ELECTRICAL SYSTEM

24V, negative ground

#### OPTIONAI ITEMS

Advanced Logistic Proactive Solution (ALPS)

## SPECIFICATIONS

Model	A300D
Drive	6x6
Kerb weight (kg)	23,500
Payload (kg)	28,000
GVW (kg)	51,500
Overall Length (mm)	9,916
Overall Width (mm)	2,950
Overall Height (mm)	3,750
Wheelbase (mm)	4,359 / 1,700
Track Front/Rear (mm)	2,300
Top Speed (Km/Hr)	42
Max Gradability (%)	> 43
Approach Angle (deg)	26
Departure Angle (deg)	78
Min Turning Diameter (m)	≤ 17
Body Capacity struck (m <sup>3</sup> )	12.9
Body Capacity Heap (SAE 2:1) (m <sup>3</sup> )	16.8
Tyre Size	23.5R25
Rim Size	19.5/2.5-25

Note: Specifications are subject to change by the manufacturer without prior notice.

# BZK

**TRXBUILD™**  
ENGINEERING PRODUCTIVITY

BEIJING ZHONGHUAN KINETICS HEAVY VEHICLES CO.,LTD.

Add: No: 15 Xingguang 5 Jie, Tong Zhou Yuan, Zhong Guan

Cun Ke Ji Yuan, Beijing 101111 China

Tel: 010-81503509 81503515

Fax: 010-81503507

Email: sales@chinabzk.com

www.CHINABZK.com