

SOLAR 130W-V

DAEWOO NEW WHEEL TYPE EXCAVATOR

- Operating Weight
 - Articulated Boom : 13,600 kg (29,980 lb)
 - Mono Boom : 12,700 kg (28,000 lb)
- Bucket Capacity (PCSA) : 0.3~0.76m³ (²/₅~1 cu .yd)
- Rated Engine Power : 132HP / 2,200 rpm
99 kw / 2,200 rpm



Technical Data



Engine

Model DAEWOO DB58T
Type Water-cooled, 4-cycle,
 6-cylinder in line, direct
 injection chamber type
 diesel engine.

Rated flywheel horse power

DIN 6271, net 99KW (134PS)
 at 2,200 rpm
 SAE J1349, net 99KW (132HP)
 at 2,200 rpm

Piston displacement 5,785cc (353cu.in)

Maximum torque 45 kgf.m (441Nm,
 325 lbf.ft) at 1,600 rpm

Bore and stroke 102mm x 118mm
 (4.0" x 4.6")

Starting system 24V electric motor

Batteries 2 x 12V x 100 AH

Auto-idle system : Engine rpm is reduced automatically to the low
 idle rpm after a lapse of approx. 4 seconds with all control levers in
 neutral position, thus saving energy and reducing noise.



Hydraulic system

Daewoo's EPOS-V (Electronic Power Optimizing System) can
 achieve maximum job efficiency and reduce fuel consumption.

- 3-power mode working system.
- 3-Working mode selection system.
- Computer aided engine pump control.
- Hydraulic system assures fully independent and combined
 operations.
- Cross-sensing and fuel saving pump system.
- Auto idle system.
- 2 speed travel system for high traction force and travel speed.
- Travel motor brake torque-up system.
- Cruise travel system.

Main pumps 2 variable displacement
 axial piston pumps.

Max. oil flow 2 x 162 l/min
 (2 x 42.8 US gpm,
 2 x 35.6 Imp gpm)

Pilot pump Gear pump

Max. oil flow 21 l/min (5.5US gpm,
 4.6 Imp gpm)

Pressure setting 39 bar (569psi, 40 kgf/cm²)

Brake pump Gear pump

Max. oil flow 13 l/min (3.4 US gpm,
 2.9 Imp gpm)

Pressure setting 157 bar (2,276 psi, 160 kgf/cm²)

Steering pump Gear pump

Max. oil flow 28 l/min

(7.4US gpm, 6.2 Imp gpm)

Pressure setting 137bar (1,991 psi, 140 kgf/cm²)

Main relief valves

Boom/Arm/Bucket 343bar
 (4,978 psi, 350 kgf/cm²)

Travel circuit 343 bar
 (4,978 psi, 350 kgf/cm²)

Overload relief valves

Boom circuit 353 bar
 (5,120 psi, 360 kgf/cm²)

Arm circuit 353 bar
 (5,120 psi, 360 kgf/cm²)

Bucket circuit 353 bar
 (5,120 psi, 360 kgf/cm²)

Swing motor relief valve 265 bar

(3,840 psi, 270kgf/cm²)

Hydraulic cylinders

High-strength piston rods and tubes are used. Cylinder cushion
 mechanism is provided for boom, articulated boom. Arm and bucket
 cylinders to assure shock-free operation and extend life of cylinder.

Mono boom

Cylinders	Q'ty	Bore xRod dia. xStroke
Boom	2	100 x 70 x 1,080 mm (3.9" x 2.8" x 42.5")
Arm	1	110 x 75 x 1,110 mm (4.3" x 3.0" x 43.7")
Bucket	1	95 x 65 x 885 mm (3.7" x 2.6" x 34.8")

Articulated boom

Cylinders	Q'ty	Bore xRod dia. xStroke
Boom	2	110 x 75 x 990 mm (4.3" x 2.9" x 3'3")
Arti.Boom	1	180 x 100 x 710 mm (7" x 3.9" x 2'4")
Arm	1	110 x 75 x 1,250 mm (4.3" x 3.0" x 4'1")
Bucket	1	100 x 65 x 885 mm (3.9" x 2.6" x 2'11")

Hydraulic filters

All hydraulic circuits have high-quality hydraulic filters for
 protection against oil contamination and longer life of hydraulic
 components. Suction filter is built in suction line, and 10 μ full-
 flow filter in return circuit, drain filter in drain line, brake filter in
 brake circuit and pilot filter in pilot circuit.



Swing mechanism

High-torque, axial piston motor with planetary reduction gear
 bathed in oil. Swing circle is a single-row, shear type ball
 bearing with induction-hardened internal gear. Internal gear
 and pinion immersed in lubricant. Swing reactionless valve is
 internally attached. Spring applied hydraulically released
 parking brake. A swing lock clamps the superstructure for
 transportation.

. **Swing speed** 0 to 12.5rpm (min⁻¹)

. **Rear swing radius** 2,210mm(7'3")



Technical Data



Drive

Fully hydrostatic driven, 2 speed power shift transmission, variable displacement, high torque, axial piston motor, foot pedal controls provide smooth travel, hub reduction type front steering axle and rear rigid axle.

Travel speed 0 to 37 km/h (23 mph)

*A maximum speed restriction of 20 km/h is available as an option.

Maximum traction

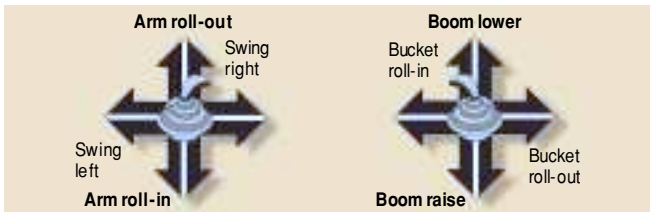
force 8,182 kgf (18,038 lbf)

Gradeability 35° (70%) continuous



Controls 3 implement levers

Pilot pressure control type. Right lever is for boom and bucket control, left lever for swing and arm control. Left rear lever is for dozer and outrigger. Left bottom pedal is for articulated boom.



Super-structure revolving frame

A deep, full-reinforced box section. Heavy-gauge steel plates used for ruggedness.



Operator's cab

Independent, shock and noise-free roomy ISO standard operator's cab. 4 side safety glass windows give all-round visibility. Front window slides up and stores in the roof. Left and right side windows opens for ventilation. Fully adjustable reclining seat : fwd./rev. and up/down. Cab cooler is optionally available.

Noise Levels (dynamic value)

LpA External noise **103 dB(A)** (95/27/EC)

LpW Operator ear noise **75 dB(A)** (ISO 6396)

81 dB(A) (95/27/EC)



Undercarriage

Heavy-duty frame, all-welded stress-relieved structure. Top grade materials used for toughness. Specially heat-treated connecting pins. 9.00-20-14PR(OTR) double tires with tire spacer. Front axle oscillating hydraulically.

Rear dozer as a standard or outrigger as an option.

Front dozer as an option. Front outrigger as an option.

18-19.5-14PR(OTR) Tubeless single tire as an option.



Brake

Full sealed wet discs service brakes operated fully hydraulic and full sealed wet discs parking brake operated hydraulically.



Weight

Shipping weight-includes 10% fuel,

4,300mm(14'1") mono boom, 2,100mm(6'11") arm,

1,140mm(3'9") backhoe and rear dozer

..... 12,700 kg (28,000 lb)

Major component weight

Mono boom	kg	lb
Arm : 1,900mm(6'3")	320	705
Arm : 2,100mm(6'11")	350	772
Mono boom : 4,300mm(14'1")	740	1,631
Upper structure	4,100	9,039
Counter weight	1,600	3,527

Articulated boom	kg	lb
Arm : 1,960mm(6'5")	320	705
Arm : 2,280mm(7'6")	350	772
Upper boom : 2,800mm(9'2")	530	1,168
Lower boom : 1,856mm(6'1")	480	1,058
Upper structure	4,100	9,039
Counter weight	1,600	3,527



Service refill capacities

	Liters	US gal	Imp gal
Fuel tank	230	60.8	50.6
Cooling system	31	8.19	6.82
Lubrication			
Engine oil	19	5.02	4.18
Swing drive	3	0.79	0.66
Final drive (each)	0.9	0.24	0.20
Hydraulic tank	168	44.4	37.0



Safety

- Swing lock for long-distance travel and transportation.
- Safety glass windows.
- Spring-engaged/hydraulic-released disc type parking brake.
- Main relief valves.
- Window protector. Optional
- Lever lock.
- Preventing engine starting on gear shift.
- Monitor for operation.(Engine coolant temp., battery charge, engine oil press, air cleaner clogging, pilot oil filter clogging, brake oil filter clogging, drain filter clogging, Brake oil press, Engine speed)
- Electric double horn.
- Overload relief valves.
- Circuit breaker.



Technical Data



Standard equipment

All weather steel cab with all-round visibility. Safety glass windows. Wide screen wiper. Sliding, fold-in front window. Sliding side window. Lockable door. Deluxe fully adjustable reclining seat. Lever lock. Cab heater. Two room lamps.

Backhoe attachments

Boom and arm are of all welded. Low stress, full box section design. Bucket of all welded, high-strength steel structure.



Optional equipment

Buckets, Arm, Air conditioner, Single Tire, Front dozer, Front outrigger, Rear outrigger, Articulated boom, Fuel filler pump, Additional working lamp(on the top of cabin)

Digging forces (Maximum radial tooth forces) Mono boom

	2.1m (6'11")	1.9m (6'3")	2.25m (7'5")
Bucket digging force *	8,336 kgf	8,336 kgf	8,336 kgf
	81.7 KN	81.7 KN	81.7 KN
	18,378 lbf	18,378 lbf	18,378 lbf
Arm digging force *	6,652 kgf	7,073 kgf	6,250 kgf
	65.2 KN	69.3 KN	61.3 KN
	14,665 lbf	15,593 lbf	13,779 lbf

*At power boost

Articulated boom

	1.96m (6'5")	2.28m (7'6")
Bucket digging force *	8,603 kgf	8,603 kgf
	84.3 KN	84.3 KN
	18,966 lbf	18,966 lbf
Arm digging force *	7,522 kgf	6,833 kgf
	73.7 KN	66.9 KN
	16,583 lbf	13,741 lbf

*At power boost

Buckets

Capacity		Width		Weight	Recommendation
PCSA, heaped	CECE, heaped	Without side cutters	With side cutters		
0.30m ³ (2/ 5 yd ³)	0.25m ³	550mm (22")	650mm (26")	330kg (730lb)	A
0.4m ³ (1/ 2 yd ³)	0.35m ³	760mm (30")	860mm (34")	380kg (840lb)	A
0.52m ³ (11/ 16 yd ³)	0.45m ³	950mm (37")	1,050mm (41")	430kg (950lb)	B
0.58m ³ (3/ 4 yd ³)	0.50m ³	1,040mm (41")	1,140mm (45")	450kg (990lb)	B
0.64m ³ (5/ 6 yd ³)	0.55m ³	1,120mm (44")	1,220mm (48")	475kg (1,050lb)	B
0.76m ³ (1 yd ³)	0.65m ³	1,300mm (51")	1,400mm (55")	520kg (1,150lb)	C

A. Suitable for materials with density of 1,800 kg/m³ (3,030 lb/cu-yd) or less
 B. Suitable for materials with density of 1,600 kg/m³ (2,700 lb/cu-yd) or less
 C. Suitable for materials with density of 1,100 kg/m³ (1,850 lb/cu-yd) or less

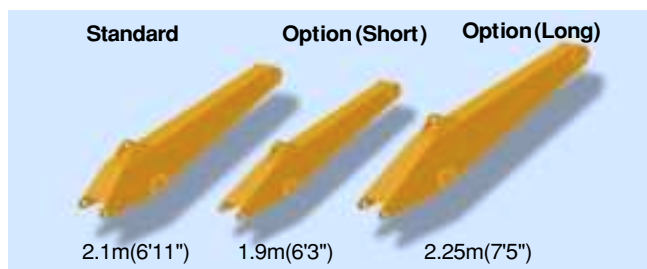
Instrument panel

Engine coolant temperature gauge. Electric hourmeter. Fuel meter. Tachometer. Voltmeter. Hydraulic oil pump pressure gauge. Monitor for during operation(Engine oil pressure, battery charge, engine oil filter clogging, air cleaner clogging, brake filter clogging, pilot filter clogging and return filter clogging). Alarm buzzer(Engine oil pressure, engine coolant temperature and brake oil pressure). Working lights pilot lamp.

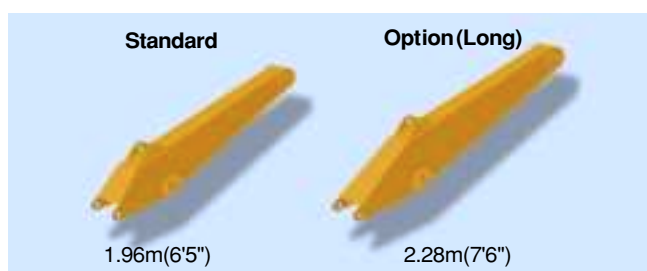
Miscellaneous

Car stereo. Electric double horn. Cigarette lighter. Ashtray. Magazine box. Swing lock. Lockable machine cover. Radiator reserve tank. Air cleaner evacuator. Hyd. oil filters. Working lights(basic machine and boom).

Arm Mono boom

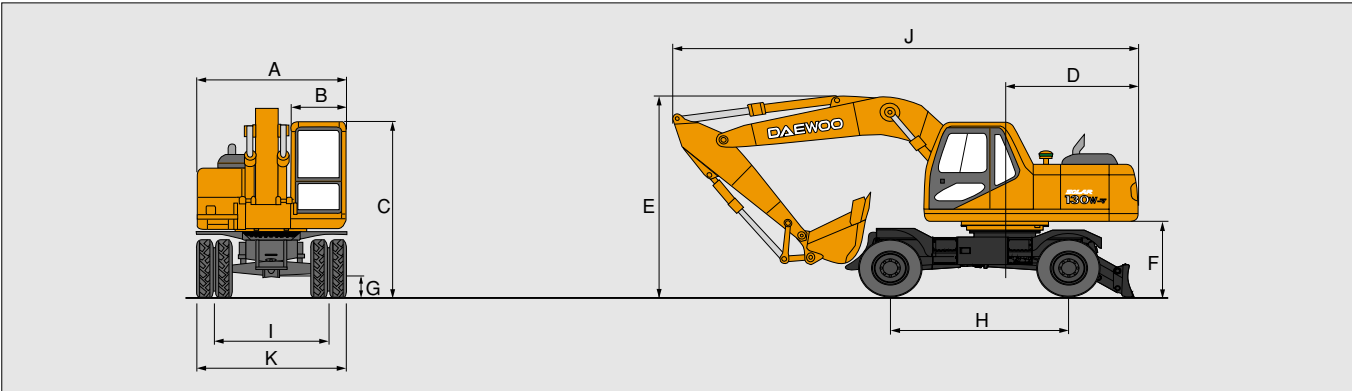


Articulated boom



Specifications & Working Ranges (Mono boom)

■ Dimensions



■ General specifications

Operating Weight

Mono Boom	12,700kg (28,000lb)
-----------	---------------------

Bucket

Heaped Capacity Range	PCSA 0.3~0.76m ³ (² / ₅ ~ 1cu.yd)
-----------------------	--

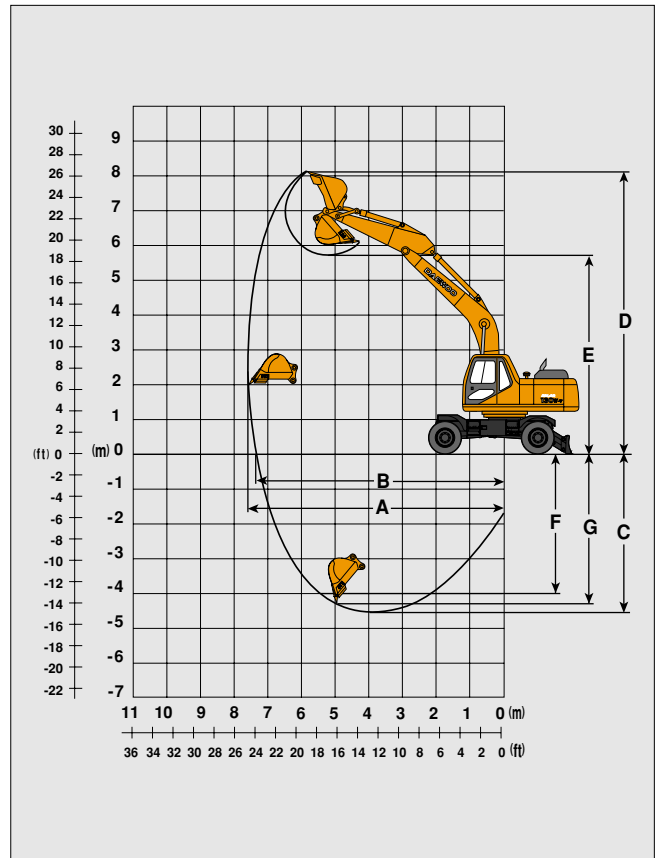
Maneuverability

Travel Speed	37 km/h (23 mph)
Gradeability	35° (70 %)
Ground Clearance	350mm (14")

Dimensions

A Overall width of upper structure	2,494mm(8'2")
B Overall width of cab	960mm(3'2")
C Overall height of cab	3,116mm(10'3")
D Tail swing radius	2,210mm(7'3")
E Overall height of boom	3,700mm(12'2")
F Clearance under counterweight	1,262mm(4'2")
G Ground clearance	350mm(14")
H Wheel base	2,800mm(9'2")
I Tread	1,914mm(6'3")
J Overall length	7,300mm(23'11")
K Overall tire width with fender	
9.00-20-14PR Double tire (standard)	2,496mm(8'2")
18-19.5-14PR Single tire (optional)	2,474 mm (8'1")

■ Working ranges



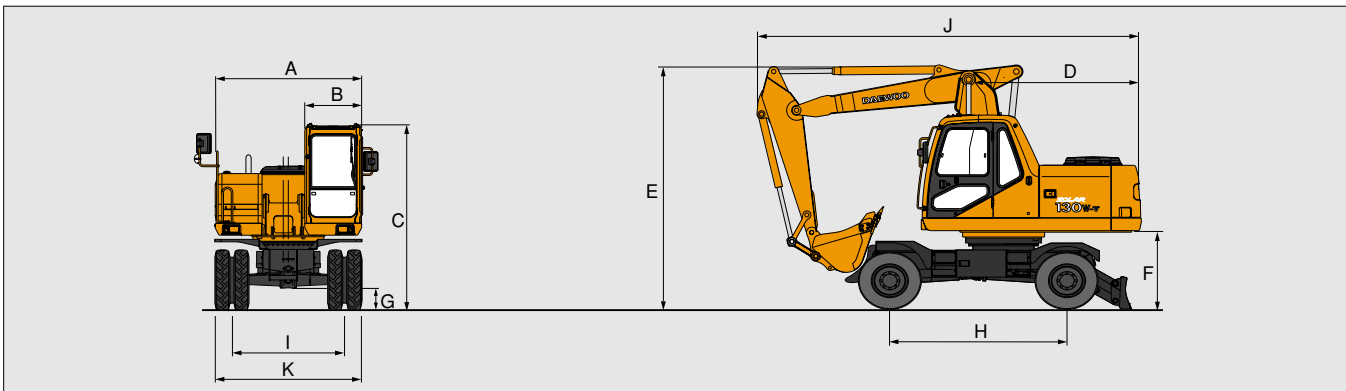
Working ranges- with mono block boom

	Mono boom 4,300mm (14'1")
Boom	4,300mm (14'1")
Arm	2,100mm (6'11")
Bucket	0.50m ³ (0.65 cu.yd)
A. Max. digging reach	7,560mm (24'10")
B. Max. digging reach at ground level	7,320mm (24')
C. Max. digging depth	4,630mm (15'2")
D. Max. digging height	8,110mm (26'7")
E. Max. dump height	5,720mm (18'9")
F. Vertical wall digging depth	4,000mm (13'1")
G. Max. digging depth (8' Level)	4,350mm (14'3")



Specifications & Working Ranges (Articulated boom)

■ Dimensions



■ General specifications

Operating Weight

Articulated Boom	13,600 kg (28,980 lb)
------------------	-----------------------

Bucket

Heaped Capacity Range	PCSA 0.3 ~ 0.76m ³ (2/5 ~ 1cu.yd)
-----------------------	---

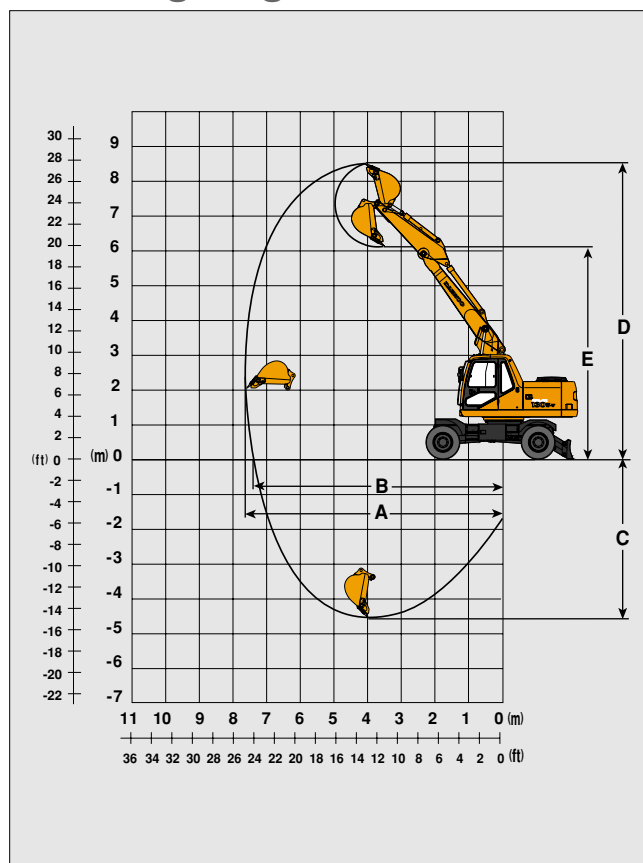
Maneuverability

Travel Speed	20 km/h (12.4 mph)
Gradeability	35° (70 %)
Ground Clearance	350mm (14")

Dimensions

A Overall width of upper structure	2,494mm(8'2")
B Overall width of cab	960mm(3'2")
C Overall height of cab	3,116mm(10'3")
D Tail swing radius	2,210mm(7'3")
E Overall height of boom	3,938mm(12'11")
F Clearance under counterweight	1,262mm(4'2")
G Ground clearance	350mm(14")
H Wheel base	2,800mm(9'2")
I Tread	1,914mm(6'3")
J Overall length	6,158mm(20'2")
K Overall tire width with fender	
9.00-20-14PR Double tire (standard)	2,496 mm(8'2")
18-19.5-14PR Single tire (optional)	2,474 mm(8'1")

■ Working ranges



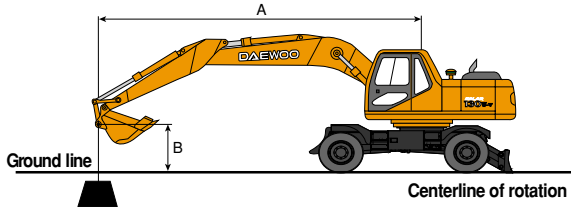
Working ranges- with articulated boom

Boom	Articulated boom 4,410mm (14'5")	
Arm	1,960mm (6'5")	2,280mm (7'6")
Bucket	0.50m ³ (0.65 cu.yd)	0.50m ³ (0.65 cu.yd)
A. Max. digging reach	7,699mm (25'3")	8,001mm (26'3")
B. Max. digging reach at ground level	7,463mm (24'6")	7,776mm (25'6")
C. Max. digging depth	4,555mm (14'11")	4,873mm (16'0")
D. Max. digging height	8,545mm (28'0")	8,754mm (28'9")
E. Max. dump height	6,110mm (20'1")	6,319mm (20'9")



Lifting Capacities (Mono boom)

Standard



A : Load radius from centerline of rotation
B : Load point height

Metric (4.3m Mono Boom, 2.1m Arm)

Unit : 1,000kg

A (m)	3		4		5		6		Max. Reach		A (m)
	⊖	⊕	⊖	⊕	⊖	⊕	⊖	⊕	⊖	⊕	
6			*3.07	*3.07					*1.4	←	6.12
			*3.07	*3.07					*1.4	←	
5			*3.2	*3.2	*3.27	3.01			*1.3	←	6.71
			*3.2	*3.2	*3.27	*3.27			*1.3	←	
4			*3.72	*3.72	*3.44	2.95			*1.25	←	7.08
			*3.72	*3.72	*3.44	*3.44			*1.25	←	
3			*4.56	4.01	*3.84	2.87	*3.25	2.04	*1.24	←	7.28
			*4.56	*4.56	*3.84	*3.84	*3.25	2.84	*1.24	←	
2			*5.39	4.01	*4.29	2.77	3.53	2.01	*1.27	←	7.3
			*5.39	*5.39	*4.29	3.86	*3.75	2.8	*1.27	←	
1			*6.04	3.87	*4.69	2.69	3.5	1.97	*1.36	←	7.17
			*6.04	5.51	*4.69	3.77	*3.93	2.77	*1.36	←	
0 (Ground)	*8.19	6.21	*6.37	3.81	4.78	2.65	*2.35	2.0	*1.5	←	6.88
	*8.19	*8.19	*6.37	5.43	*4.92	3.73	*2.35	*2.35	*1.5	←	
-1	*8.58	6.24	*6.32	3.8	4.77	2.65			*1.77	←	6.37
	*8.58	*8.58	*6.32	5.43	*4.85	3.73			*1.77	←	
-2	*7.79	6.35	*5.76	3.86					*2.27	←	5.58
	*7.79	*7.79	*5.76	5.5					*2.27	←	

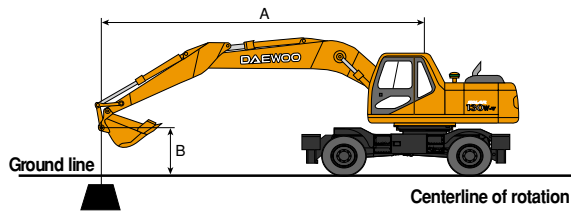
Feet (14'1" Mono Boom, 6'11" Arm)

Unit : 1,000 lb

A (ft)	5		10		15		20		Max. Reach		A (ft)
	⊖	⊕	⊖	⊕	⊖	⊕	⊖	⊕	⊖	⊕	
15					*7.29	3.51			*2.79	←	22.64
					*7.29	3.57			*2.79	←	
10					*8.89	7.39	*4.6	4.35	*2.73	←	23.82
					*8.89	*8.89	*4.6	*4.6	*2.73	←	
5					*10.91	6.97	7.52	4.26	*2.87	←	23.83
					*10.91	9.77	*7.72	5.96	*2.87	←	
0 (Ground)				*18.06	13.33	*12.02	6.76		*3.31	←	22.56
				*18.06	*18.06	*12.02	9.54		*3.31	←	
-5	*14.97	←			*17.91	13.52	*12.02	6.79	*4.38	←	19.67
	*14.97	←			*17.91	*17.91	*12.02	9.57	*4.38	←	

⊖ : Rated lift capacity-over front
⊕ : Rated lift capacity-over side (free on wheel / dozer on ground)

Option



A : Load radius from centerline of rotation
B : Load point height

Metric (4.3m Mono Boom, 2.1m Arm)

Unit : 1,000 kg

A (m)	3		4		5		6		Max. Reach		A (m)
	⊖	⊕	⊖	⊕	⊖	⊕	⊖	⊕	⊖	⊕	
6			*3.07	*3.07					*1.4	←	6.12
			*3.07	*3.07					*1.4	←	
5			*3.2	*3.2	*3.27	3.01			*1.3	←	6.71
			*3.2	*3.2	*3.27	*3.27			*1.3	←	
4			*3.72	*3.72	*3.44	2.95			*1.25	←	7.08
			*3.72	*3.72	*3.44	*3.44			*1.25	←	
3			*4.56	4.56	*3.84	3.6	3.34	2.61	*1.24	←	7.28
			*4.56	4.56	*3.84	3.67	3.34	2.67	*1.24	←	
2			*5.39	5.0	*4.29	3.51	3.3	2.58	*1.27	←	7.3
			*5.39	5.11	*4.29	3.57	3.3	2.63	*1.27	←	
1			*6.04	4.85	*4.97	4.53	3.43	2.55	*1.36	←	7.17
			*6.04	4.97	*4.97	3.49	3.27	2.6	*1.36	←	
0 (Ground)	*8.19	7.67	*6.37	4.78	4.48	3.39	*2.35	2.0	*1.5	←	6.88
	*8.19	7.96	*6.37	4.9	4.48	3.45	*2.35	*2.35	*1.5	←	
-1	*8.58	7.71	*5.96	4.78	4.48	3.39			*1.77	←	6.37
	*8.58	7.99	*5.96	4.9	4.48	3.45			*1.77	←	
-2	*7.79	7.84	*5.60	4.85					*2.27	←	5.58
	*7.79	7.79	*5.60	4.96					*2.27	←	

Feet (14'1" Mono Boom, 6'11" Arm)

Unit : 1,000 lb

A (ft)	5		10		15		20		Max. Reach		A (ft)
	⊖	⊕	⊖	⊕	⊖	⊕	⊖	⊕	⊖	⊕	
15					*7.29	3.51			*2.79	←	22.64
					*7.29	3.57			*2.79	←	
10					*8.89	6.98	*4.6	4.01	*2.73	←	23.82
					*8.89	7.13	*4.6	*4.15	*2.73	←	
5					*10.91	6.56	7.02	3.96	*2.87	←	23.83
					*10.91	6.71	7.02	4.06	*2.87	←	
0 (Ground)				*18.06	8.00	*12.02	6.34		*3.31	←	22.56
				*18.06	11.58	*12.02	6.5		*3.31	←	
-5	*14.97	←			*17.91	7.97	11.62	6.38	*4.38	←	19.67
	*14.97	←			*17.91	12.28	11.62	6.52	*4.38	←	

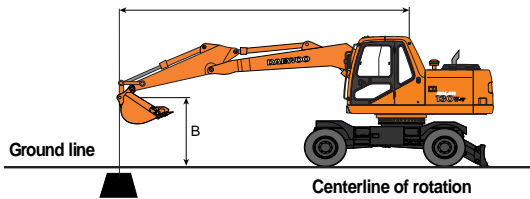
⊖ : Rated lift capacity-over front
⊕ : Rated lift capacity-over side (free on wheel/outrigger on ground)

Note 1. Ratings are based on SAE J1097. 2. Load point is the hook on the back of the bucket. 3. *Rated loads are based on hydraulic capacity. 4. Rated loads do not exceed 87% of hydraulic capacity or 75% of tipping capacity.



Lifting Capacities (Articulated boom)

Standard



A : Load radius from centerline of rotation
B : Load point height

Metric (4.41m Articulated Boom, 1.96m Arm)

Unit : 1,000kg

B (m)	A (m)		3		4		5		6		Max. Reach		A (m)
	□	◻	□	◻	□	◻	□	◻	□	◻	□	◻	
6					*3.05	2.40	2.40				*1.90	1.88	5.76
5					*3.17	2.39	*3.17		*1.92	1.71	*1.81	1.56	6.36
4			*3.58	3.27	*3.48	2.30	*3.17		*3.44	1.69	*1.78	1.35	6.80
3	*5.72	5.03	*4.61	3.08	*4.01	2.21	*3.11		*3.73	1.63	*1.87	1.32	6.88
2	*7.69	4.64	*5.59	2.96	*4.60	2.12	3.03		3.77	1.57	*1.84	1.21	7.11
1	*5.66	4.40	*6.52	2.87	5.06	2.05	3.03		3.72	1.53	*2.15	1.28	6.88
0 (Ground)	*4.94	4.27	*4.94	2.80	4.96	1.99	3.03		3.69	1.51	*2.05	1.26	6.88
-1	*5.98	4.23	*5.98	2.77	4.96	1.99	2.88		3.70	1.51	*2.24	1.37	6.52
-2	*9.00	4.23	*6.73	2.77	4.96	1.99	2.88		*2.57	1.58	*2.59	1.62	5.89
-3	*8.36	4.35	*6.08	2.81	*3.67	2.06	2.96				*3.35	2.01	5.20

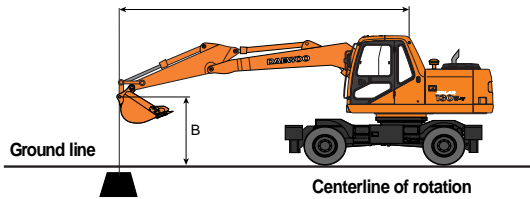
Feet (14'6" Articulated Boom, 6'5" Arm)

Unit : 1,000lb

B (ft)	A (ft)		5		10		15		20		Max. Reach		A (ft)
	□	◻	□	◻	□	◻	□	◻	□	◻	□	◻	
15							*8.03	5.83	*7.47	3.61	*4.01	3.05	22.15
10					*15.69	10.12	*10.51	5.42	8.14	3.42	*4.01	2.68	23.30
5					*11.97	9.36	*11.97	5.06	8.05	3.31	*4.29	2.69	23.09
0 (Ground)					*11.81	9.15	*11.81	5.02	7.94	3.25	*4.84	2.96	21.73
-5	*12.74	*12.74	*18.70	9.22	*12.32	5.03	7.31				*5.95	3.70	19.00

□ : Rated lift capacity-over front
◻ : Rated lift capacity-over side (free on wheel / dozer on ground)

Option



A : Load radius from centerline of rotation
B : Load point height

Metric (4.41m Articulated Boom, 1.96m Arm)

Unit : 1,000kg

B (m)	A (m)		3		4		5		6		Max. Reach		A (m)
	□	◻	□	◻	□	◻	□	◻	□	◻	□	◻	
6					*3.06	2.57	*3.06				*1.91	1.91	5.76
5					*3.20	2.56	*1.93	1.85	*1.82	1.70	*1.82	1.70	6.36
4			*3.61	3.50	*3.51	2.47	*3.46	1.83	*1.79	1.49	*1.79	1.49	6.80
3	*5.75	5.36	*4.64	3.31	*4.04	2.38	*3.76	1.78	*1.88	1.45	*1.88	1.45	6.88
2	*7.74	4.99	*5.36	3.20	*4.63	2.30	3.92	1.72	*1.85	1.34	*1.85	1.34	7.11
1	*5.67	4.75	*6.56	3.11	*5.22	2.23	3.87	1.68	*2.16	1.41	*2.16	1.41	6.88
0 (Ground)	*4.95	4.62	*7.17	3.04	5.16	2.18	3.85	1.66	*2.06	1.39	*2.06	1.39	6.88
-1	*6.00	4.58	*7.42	3.01	5.16	2.17	*3.79	1.66	*2.25	1.51	*2.25	1.51	6.52
-2	*9.05	4.58	*6.77	3.01	5.16	2.18	*2.58	1.73	*2.60	1.78	*2.60	1.78	5.89
-3	*8.41	4.69	*6.12	3.05	3.69	2.24	*3.69		*3.36	2.18	*3.36	2.18	5.20

Note 1. Ratings are based on SAE J1097.
2. Load point is the hook on the back of the bucket.
3. * Rated loads are based on hydraulic capacity.
4. Rated loads do not exceed 87% of hydraulic capacity or 75% of tipping capacity.

Feet (14'6" Articulated Boom, 6'5" Arm)

Unit : 1,000lb

B (ft)	A (ft)		5		10		15		20		Max. Reach		A (ft)
	□	◻	□	◻	□	◻	□	◻	□	◻	□	◻	
15							*8.08	6.25	*7.49	3.92	*4.03	3.34	22.15
10					*15.78	10.84	*10.58	5.86	8.47	3.74	*4.04	2.96	23.30
5					*11.99	10.12	*12.90	5.51	8.38	3.64	*4.32	2.97	23.09
0 (Ground)					*11.84	9.11	*13.22	5.47	8.27	3.57	*4.87	3.26	21.73
-5	*12.76	*12.76	*18.80	9.97	*12.40	5.49	10.42				*5.98	4.05	19.00

□ : Rated lift capacity-over front
◻ : Rated lift capacity-over side (free on wheel/outrigger on ground)

*Specifications are subject to change without prior notice.



Seoul Office :
21st Fl. Daewoo Center 541 Namdaemunno 5-ga,
Chung-gu, Seoul, Korea.
Mail : C. P. O Box 7955 Seoul, Korea.
Tel : (02)726-3114 Fax : (02)726-3149
Website : www.dhild.co.kr

Daewoo Heavy Industries America Corporation.
2905 Shawnee Industrial Way, Suite 100, Suwanee, GA 30024
Tel : 770-831-2200 Fax : 770-831-0480

Euro Daewoo UK :
Daewoo House Unit 6.3 Nantgarw Park Cardiff
CF4 7QU, U.K
Tel : (01443)842273 Fax : (01443)841933

Euro Daewoo S. A. :
1A Rue Achille Degrace, 7080 Frameries, Belgium
Tel : (065)61.32.30 Fax : (065)67.73.38

Daewoo Maschinen Vertriebs GmbH :
Hans-Böckler strasse 29.
40764 Langenfeld-Fuhrkamp, Germany
Tel : (02173)8509-20 Fax : (02173)980729



Courtesy of Machine.Market

EL0019 (99.9)