



CRANE ATTACHMENTS

TRASH GRAPPLE SERIES

HC20-TG 78/45



HC20-TG 3/42



PROUDLY MADE
IN THE U.S.A.

FEATURES TRASH GRAPPLE SERIES

HC60 Series Trash Grapples

- Ideally suited for smaller loaders
- Large opening for bulky trash, white goods, and storm cleanup
- 1/4" thick high tensile steel wrap with full length tines
- 5 ton continuous rotation standard
- Only 560 lb with rotation

HC20 Series Trash Grapples

- Municipalities - curbside pickup of heavy items refrigerators, mattresses, etc.
- Ideal for disaster and storm clean up
- Recycling centers - tires, mulch, etc.
- Heavy duty rotator standard

920.682.6111

HEIDENCRANE.COM

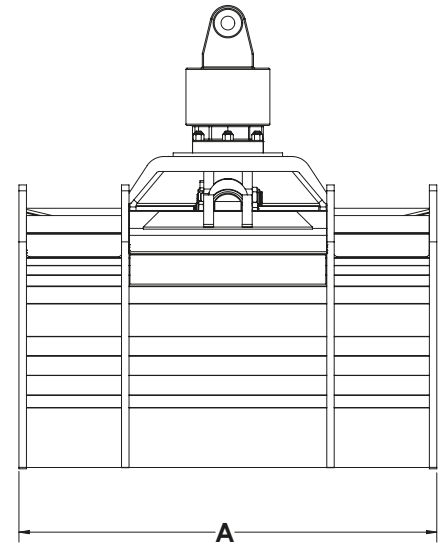
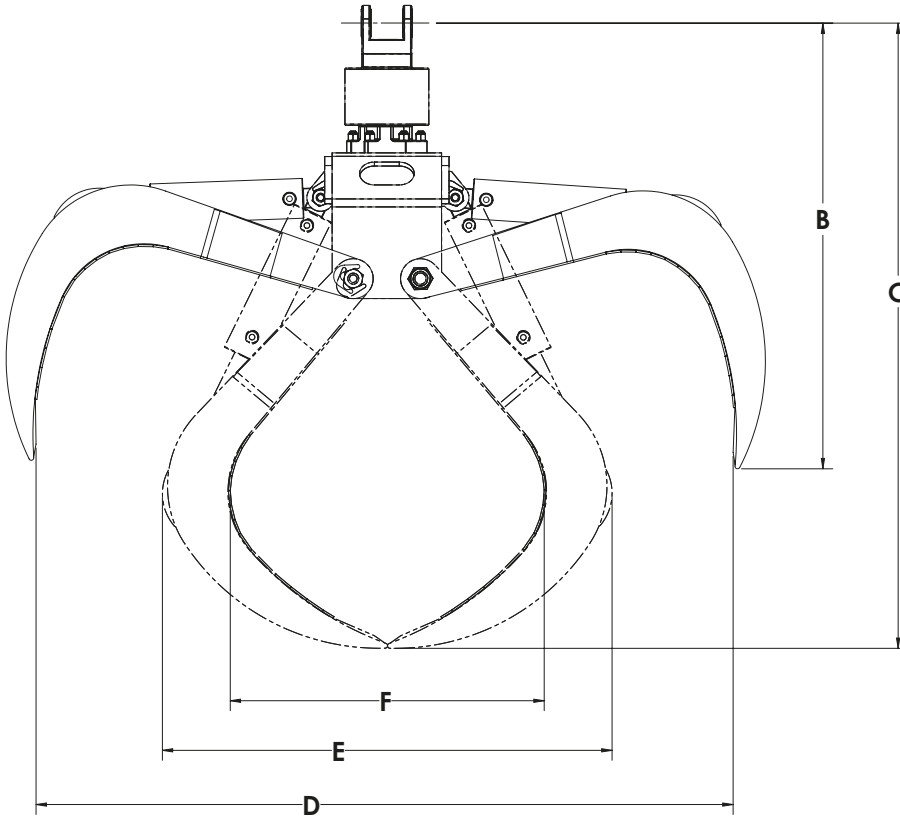


Courtesy of MachineMarket



TRASH GRAPPLE SERIES

HC20-TG 4/36 / HC20-TG 4/42 / HC20-TG-3/42 / HC20-TG 3/60
/ HC20-TG 78/45 / HC60-TG 55/24



Specifications	HC20-TG 3/42	HC20-TG 4/42	HC20-TG 3/60	HC20-TG 4/36
A	42"	42"	60"	36"
B	42"	40"	42"	40"
C	58"	53"	58"	53"
D	70"	62"	70"	62"
E	46"	40"	46"	40"
F	32"	28"	32"	28"
Weight (Without Rotator)	1,030 lb	950 lb	1,210 lb	850 lb
Weight (With Rotator)	1,160 lb	1,080 lb	1,340 lb	980 lb



PROUDLY MADE
IN THE U.S.A.

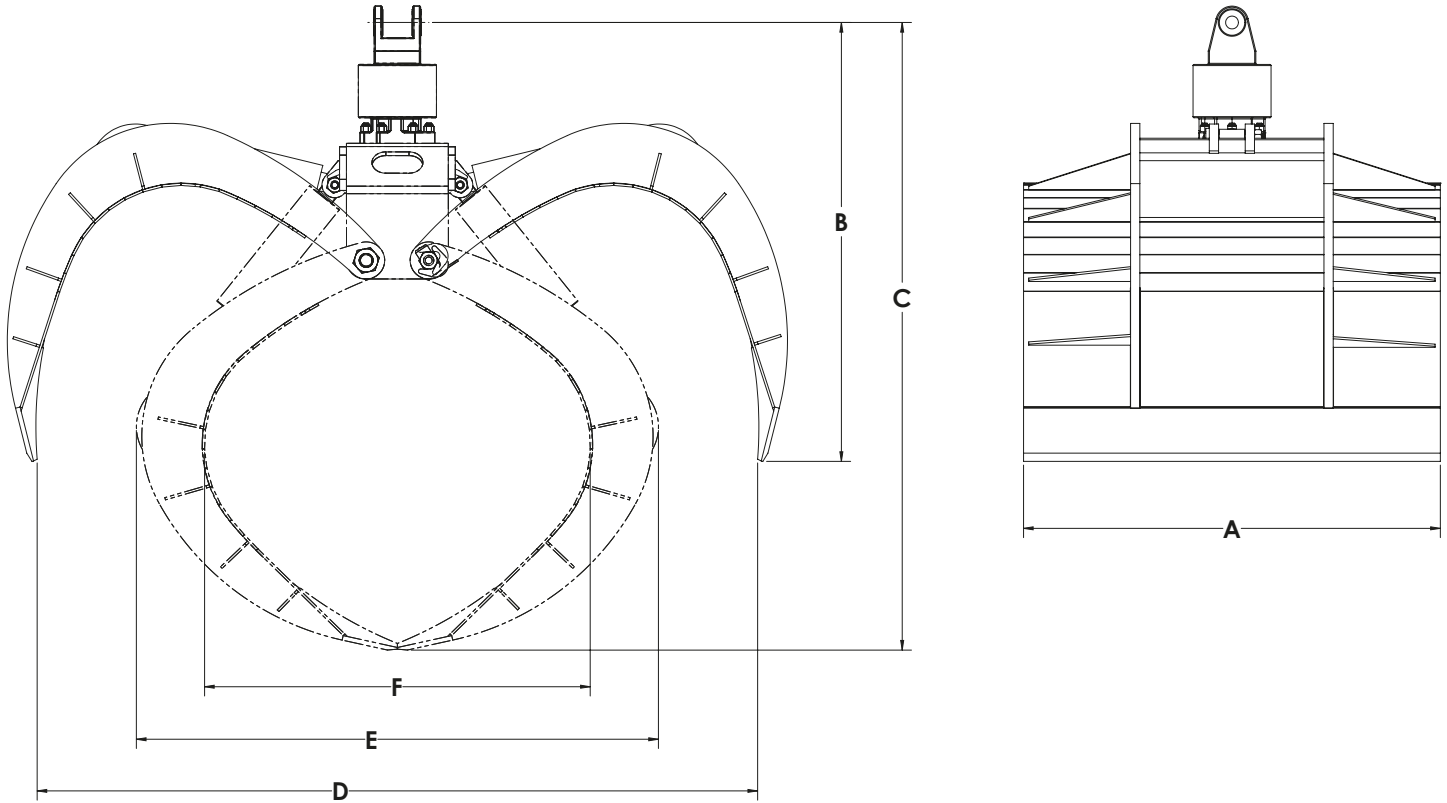
*Heiden Inc., reserves the right to change these specifications without notice and without incurring any obligation relating to such changes.





TRASH GRAPPLE SERIES

HC20-TG 4/36 / HC20-TG 4/42 / HC20-TG-3/42 / HC20-TG 3/60
/ HC20-TG 78/45 / HC60-TG 55/24



Specifications	HC20-TG 78/45
A	45"
B	47"
C	68"
D	78"
E	56"
F	41"
Weight (Without Rotator)	1,190 lb
Weight (With Rotator)	1,320 lb

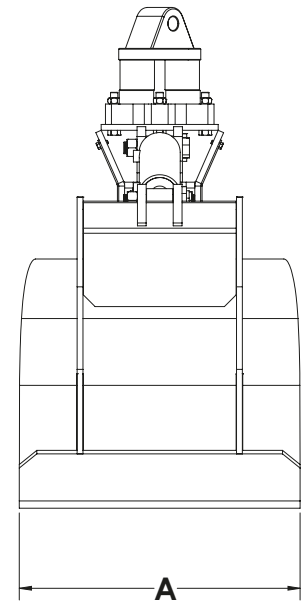
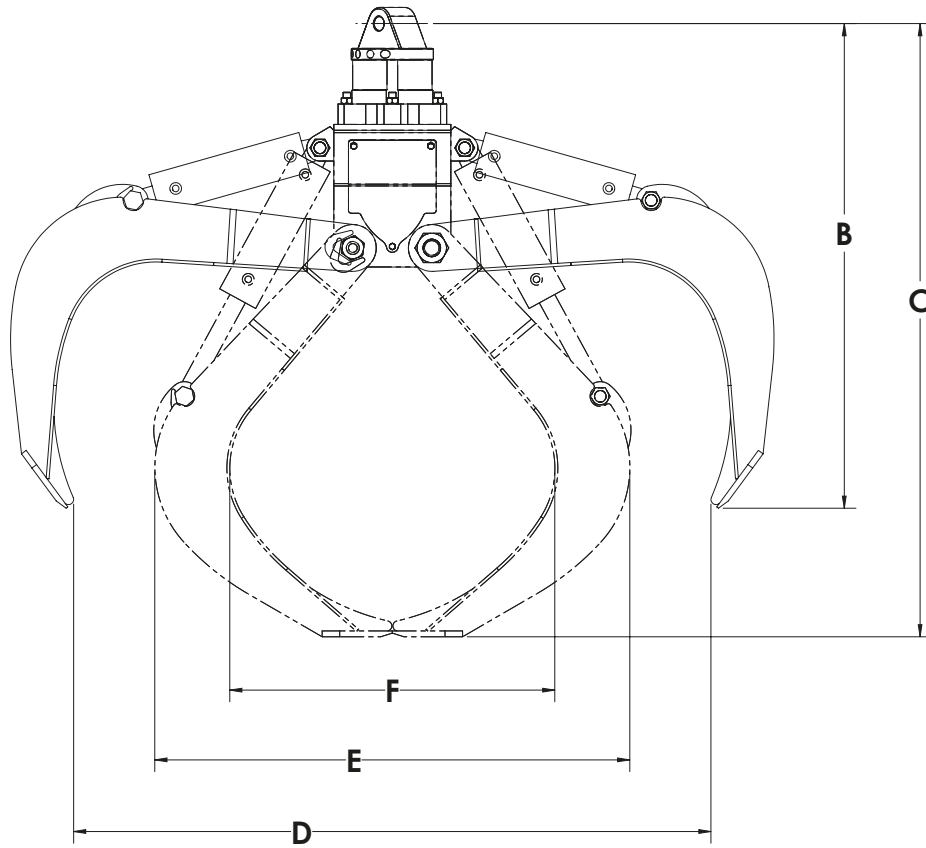


*Heiden Inc., reserves the right to change these specifications without notice and without incurring any obligation relating to such changes.



TRASH GRAPPLE SERIES

HC20-TG 4/36 / HC20-TG 4/42 / HC20-TG-3/42 / HC20-TG 3/60
/ HC20-TG 78/45 / HC60-TG 55/24



Specifications	HC60-TG 55/24
A	24"
B	43"
C	54"
D	55"
E	41"
F	28"
Weight (Without Rotator)	500 lb
Weight (With Rotator)	560 lb

*Heiden Inc., reserves the right to change these specifications without notice and without incurring any obligation relating to such changes.

OUR RELIABILITY, DELIVERY, AND INTERCHANGEABLE CUSTOM DESIGNS WILL IMPROVE YOUR BOTTOM LINE.



Interchangeable Components



Exceptional Durability



Fast Turnaround



Made in USA

4624 Expo Dr. Manitowoc, WI 54220
Toll Free: 888.682.5779 Phone: 920.682.6111
Fax: 920.682.3174
Email: heiden@heidenco.com

HEIDENCRANE.COM



HEIDEN, INC IS AN ISO 9001-2015 CERTIFIED COMPANY



PROUDLY MADE IN THE U.S.A.

Courtesy of MachineMarket