

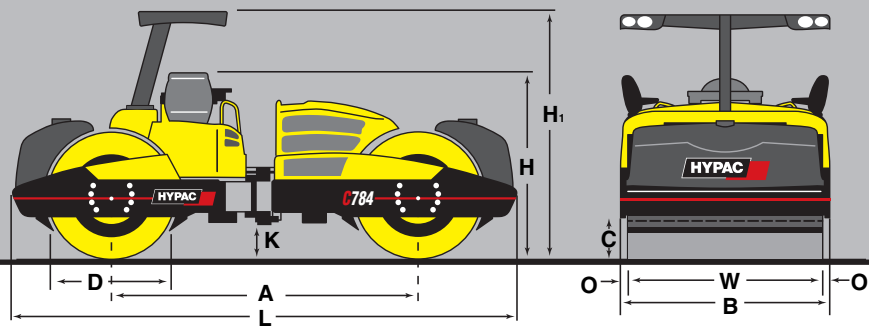
HYPAC

C784

13 Ton 84" Double Drum Vibratory Compactor



- **Cummins QSB5.9-C
185 HP Diesel Engine**
- **2 Vibration Modes -
Automatic / Manual**
- **4,000 VPM Frequencies
with paving speeds of
4.54 mph**
- **Dual waterspray systems
per drum**

HYPAC**C784**

Dimensions in inches (mm)

C784 A 130 (3302) B 90 (2286) C 18 (457) D 54 (1372) H 81 (2057) H₁ 106 (2692) K 18 (457) L 215 (5461) O 3 (76) W 84 (2134)

Technical Data...

**HYPAC
C784****Weights**

Shipping Weight with FOPS/ROPS	lbs (kg)	26265	(11913)
Operating Weight with FOPS/ROPS	lbs (kg)	28425	(12893)
Axle load, (front)	lbs (kg)	12791	(5802)
Axle load, (rear)	lbs (kg)	15634	(7091)
Average static linear load	pli (kg/cm)	169	(30.2)

Dimensions

Working width	in (mm)	84	(2134)
Track Radius, inner	in (mm)	165	(4191)
Dimensions		see sketch	

Driving Characteristics (depending on site conditions)

Speed (1)	mph (kmph)	0-4.5	(0-7.2)
Speed (2)	mph (kmph)	0-10	(0-16.1)
Max. gradeability without/with vibration	%	30/30	

Drive

Engine manufacturer		Cummins	
Type		QSB5.9-C	
Cooling		Water	
Number of cylinders		6	
Performance ISO 9249	hp (kW)	188	(138)
Speed	rpm	2200	
Performance SAE J 1995	hp (kW)	185	(138)
Speed	rpm	2200	
Fuel		diesel	
Electric Equipment	V	12	
Drive System		hydrostatic	
Drum Driven		f+r	

Brakes

Service brake		hydrostatic	
Parking brake		SAHR	

Steering

Steering system		oscil., artic.	
Steering method		hydraulic	
Steering angle +/-	degrees	28	
Oscillating angle +/-	degrees	12	

Vibratory system

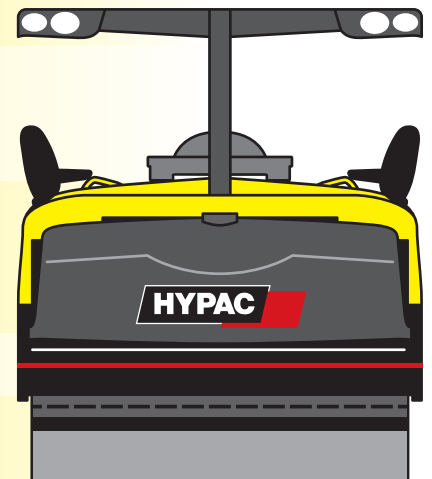
Vibrating system		f+r, f/r	
Drive system		hydrostatic	
Frequency (low/high)	vpm (Hz)	3400/4000	(57/67)
Amplitude	in (mm)	0.026/0.016	(0.66/0.41)
Centrifugal force (low/high)	lbs (kN)	41235/34665	(183.3/154.1)

Water Spray System

Type of system		Pressurized	
----------------------	--	-------------	--

Capacities

Fuel	gal (l)	75	(283.9)
Water	gal (l)	340	(1287)

HYPAC**C784****BOMAG**
AMERICAS