

# REYNOLDS®

## LSE

**12 to 16 ft**  
3,65m to 4,87m  
**wide cut**

## *Finishing* SCRAPERS



**LASER finishing and earthmoving** capacity in one SCRAPER model. The "SDS" Synchronized Ejector System ensures precision material control. Walking Beam Wheel Carriage with cross level blade adjustment for smooth high speed finishing.

**BOTTOM pan carries material** for Cut and Fill operations. Scraper tongue disassembles to reduce the shipping width for contractors moving to new jobs. Walkup platform to service LASER receiver and mast. Ideal in tandem behind RoughOUT front scraper unit.

# REYNOLDS®

**REYNOLDS INTERNATIONAL, L.P.**  
P.O. Box 550, McAllen, Texas 78505-0550 USA  
[www.reynoldsinternational.com](http://www.reynoldsinternational.com)

# REYNOLDS

# Finishing<sup>★</sup> LSE

## open front "SDS" ejector SCRAPER

### Specifications

model number	capacity approximate	width		wheels and tires	shipping weight	Price Quote
		cut	transport			
<b>LSE-12</b>	<b>10 cu. yd.</b> (7.6 m <sup>3</sup> )	<b>12'</b> (3.65 m)	<b>13'-4"</b> (4.06 m)	<b>(4) four</b> 13.5x16.1	<b>10,400 lb</b> (4,730 Kg)	
<b>LSE-14</b>	<b>12 cu. yd.</b> (9.1 m <sup>3</sup> )	<b>14'</b> (4.26 m)	<b>15'-4"</b> (4.67 m)	<b>(4) four</b> 13.5x16.1	<b>11,000 lb</b> (5,000 Kg)	
<b>LSE-16</b>	<b>14 cu. yd.</b> (10.6 m <sup>3</sup> )	<b>16'</b> (4.87 m)	<b>17'-4"</b> (5.28 m)	<b>(4) four</b> 13.5x16.1	<b>11,600 lb</b> (5,270 Kg)	

### Standard Features

Single, reversible Tungsten Alloy blade.  
Replaceable side cutting router bits.  
Height adjustable tongue YOKE hitch.

### Options

Heavy Duty Drawbar for the tractor.  
Hydraulic Hose kit for tractor connection.



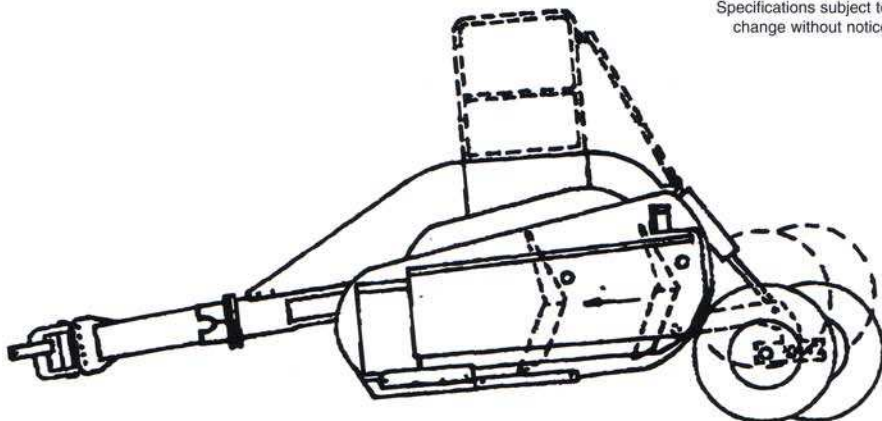
### Tractor requirements

#### ■ hydraulics

Two double acting circuits  
15 GPM (60 l/min) at 2200 PSI  
(154 bar)

#### ■ engine POWER range

LSE-12 160-180 (120-135 kW)  
LSE-14 180-200 (135-150 kW)  
LSE-16 200-220 (150-165 kW)



Specifications subject to change without notice

**REYNOLDS INTERNATIONAL, L.P., P.O. Box 550, McAllen, Texas 78505-0550 USA**

Tel. (956) 687-7500, Fax (956) 687-3082, E mail: earthmove@aol.com