

REYNOLDS®



Finishing®

open front "SDS" ejector
SCRAPER **LSE-10**



LASER finishing and earthmoving combined in one SCRAPER model. The "SDS" Synchronized Ejector System ensures precision material control. Walking Beam Wheel Carriage with cross level blade adjustment for smooth high speed surface finishing with 120-160 HP Agricultural Tractors.

"America's Preferred Scraper"

REYNOLDS®

REYNOLDS INTERNATIONAL, L.P.
P.O. Box 550, McAllen, Texas 78505-0550 USA
www.reynoldsinternational.com

BOTTOM pan carries up to 8 yd³ (6,1 m³) of material. Ideal Scraper for Cut and Fill operations in harder soils that require a cutting blade, rather than a bottomless drag box model. Scraper components disassemble to reduce the Shipping width to under 10 feet (3,00 m) for contractors moving to new jobs.

REYNOLDS

Finishing LSE-10 open front "SDS" ejector SCRAPER

Specifications

■ capacities

Volume Capacity 8 yd³ (6,10 m³)

■ dimensions

Cutting width 120" (3,05 m)

Transport width 136" (3,45 m)

Length 190" (4,82 m)

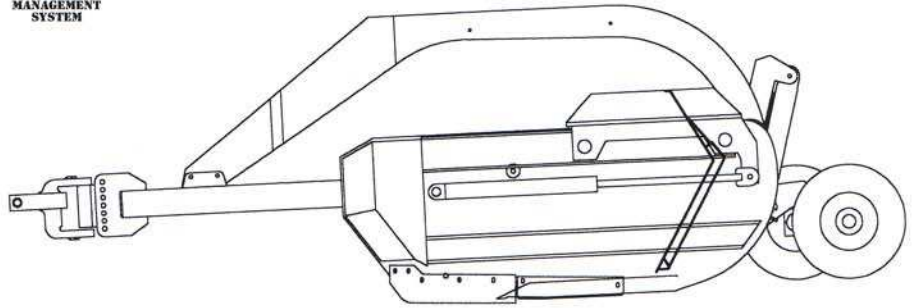
Height 72" (1,83 m)

■ weight

Shipping 6,300 lb (2.870 kg)



Specifications subject to change without notice



■ tires

(4) - 26 x 12-12

Standard Features

Single, reversible Tungsten Alloy blade.
Replaceable side cutting router bits.
Heavy adjustable tongue YOKE hitch.
LASER mast mounting bracket.

Options

Heavy Duty Drawbar for the tractor.
Hydraulic Hose kit for tractor connection.
Disassembled for open Container shipment.
Recommended export parts package.



Tractor requirements

■ hydraulics

Two double acting circuits
optimum 15 GPM (60 l/min)
at 2500 PSI (175 bar)

■ engine HP range

80-120 (105-120 kW)



REYNOLDS INTERNATIONAL, L.P., P.O. Box 550, McAllen, Texas 78505-0550 USA

Tel. (956) 687-7500, Fax (956) 687-3082, Email: info@reynoldsinternational.com