



STELLAR® CABLE HOIST TECHNICAL SPECIFICATION GUIDE

SI75

75,000 Capacity Cable Hoist



Our People. Our Products.

STELLAR® CABLE HOIST TECHNICAL SPECIFICATION GUIDE

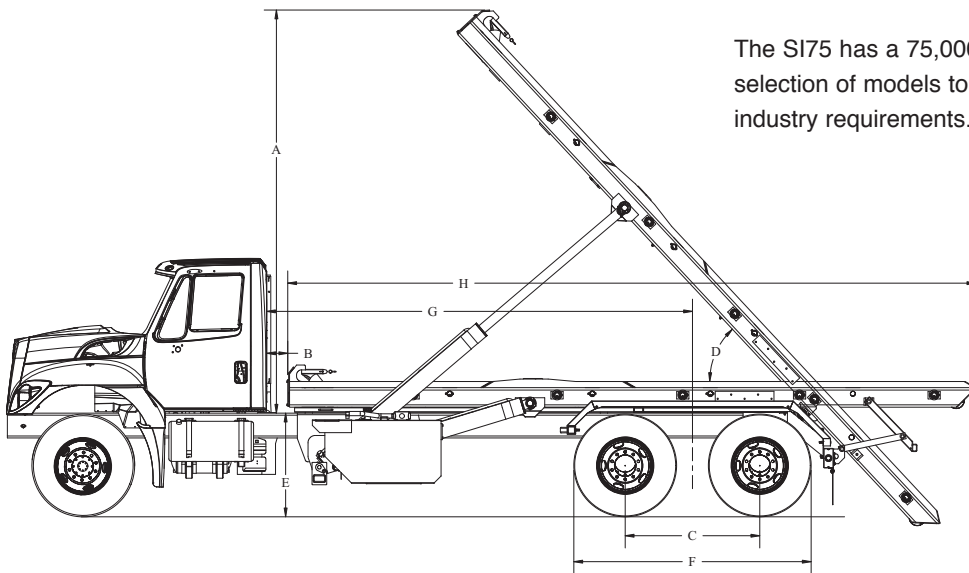
■ STANDARD EQUIPMENT

| | |
|----------------------|--|
| Hoist rated capacity | .75,000 lbs. |
| Main frame | 8" x 4" x 1/2" A500 C tubing |
| Sub frame | 4" x 2" x 1/4" A500 C tubing |
| Front stop | 1-1/2" plate |
| Container lock | Automatic spring loaded |
| Lift cylinder shaft | 2-1/2" plate |
| Rear hinge shaft | 3" solid steel |
| Cable | 1" (6 x 37 EXIWRC) |
| Cable sheaves | 10" O.D. bronze-bushed sheave |
| Cable anchor | 4 cable clamps |
| Cable end | Steel casting |
| Rear hold down | 1" plate located for std. containers |
| Middle hold down | 3/4" plate |
| Lift cylinders | 6" x 72" D.A. |
| Reeving cylinders | 7" x 80" D.A. |
| Direct mount pump | Gear types 35 GPM @ 1500 RPM |
| Operating pressure | 1850 PSI |
| Hydraulic valve | 2 spool 45 GPM safety bypass |
| Hydraulic reservoir | 60 gal. 25 micron filter & screen filter |
| Outside rollers | 4" O.D. with bronze bearing |
| Inside rollers | 6" O.D. hardened roller & pins |
| Working points | Greaseable |
| Safety stand | Factory installed |
| I.C.C. Bumper | Folding, mounting lugs factory installed |
| Rear bumper | Pre-drilled bolt mount - sealed beam backup, clearance and tail lights |
| | |
| Hoist up | 30 sec. approx. |
| Hoist down | 15 sec. approx. |
| Cable in | 46 sec. approx. |
| Cable out | 37 sec. approx. |
| Container length | 18' - 22' |
| Approximate weight | 6100 lbs. |
| | |
| Hydraulic valve | .3 spool 45 GPM safety bypass |
| Cable end | Steel casting, knuckle-type |
| Rear flange roller | 8" O.D. hardened w/2 1/2" c-1045 |
| Rear center sheave | 8" O.D. hardened |

■ OPTIONAL EQUIPMENT

| | |
|--|--|
| Lift Cylinder- T Models | 6" x 72" (5.5 x 4.5" x 3.5" x 125") Telescopic Cylinders |
| Inside controls | Direct connect, cable or pneumatic |
| Remote mount hydraulic pump | Gear type 35 GPM @ 1500 RPM |
| Auxiliary fold down front stops | For short containers |
| Full fenders | Tandem or tri-axle, 12 ga. steel or poly |
| Tarp rack / tool box combination | 20" x 16" x 48" |
| | |
| 4 Spool valve | |
| "Drop-in" Stops | |
| Cab Guard | |
| Boxed-Beam Double-Shear Lift Cylinder with replaceable stub pins and cross tube for hose routing | |
| PTO air operated with signal light | |
| Hoist-up alarm | |
| | |
| Single - acting hydraulic line to rear* | |
| Double - acting hydraulic line to rear* | |
| Double - acting hydraulic line to side* | |

*Note: This requires the 3 spool valve option or selector valve



The SI75 has a 75,000 lb. capacity, and a wide selection of models to accommodate different industry requirements.

■ **OUTSIDE RAIL SERIES**

| Model | A | B | C | D | E | F | G | H |
|------------|------|------|--------|-----|---------|---------|------|------|
| SI75-174OR | 166" | 5-6" | 51-55" | 47° | 43" Max | 96" Max | 174" | 281" |
| SI75-182OR | 172" | 5-6" | 51-55" | 47° | 43" Max | 96" Max | 182" | 289" |
| SI75-194OR | 178" | 5-6" | 51-55" | 47° | 43" Max | 96" Max | 194" | 301" |

■ **OUTSIDE RAIL SERIES W/ EXTENDABLE TAIL (TAIL EXTENSION ADDS 80" AT FULL EXTENSION)**

| Model | A | B | C | D | E | F | G | H |
|-------------|------|------|--------|-----|---------|-----------|------|------|
| SI75-174ORX | 166" | 5-6" | 51-55" | 47° | 48" Max | 96" Max | 174" | 237" |
| SI75-182ORX | 174" | 5-6" | 51-55" | 47° | 48" Max | 96" Max | 182" | 245" |
| SI75-194ORX | 178" | 5-6" | 51-55" | 48° | 48" Max | ORT Specs | 194" | 257" |

■ **INSIDE/OUTSIDE RAIL SERIES**

| Model | A | B | C | D | E | F | G | H |
|------------|------|------|--------|-----|---------|---------|------|------|
| SI75-174IO | 166" | 5-6" | 51-55" | 47° | 43" Max | 96" Max | 174" | 281" |
| SI75-182IO | 172" | 5-6" | 51-55" | 47° | 43" Max | 96" Max | 182" | 289" |
| SI75-194IO | 178" | 5-6" | 51-55" | 47° | 43" Max | 96" Max | 194" | 301" |

■ **INSIDE/OUTSIDE RAIL SERIES W/ EXTENDABLE TAIL (TAIL EXTENSION ADDS 40" AT FULL EXTENSION)**

| Model | A | B | C | D | E | F | G | H |
|-------------|------|------|--------|-----|---------|-----------|------|------|
| SI75-174IOX | 166" | 5-6" | 51-55" | 47° | 48" Max | 96" Max | 174" | 279" |
| SI75-182IOX | 172" | 5-6" | 51-55" | 47° | 48" Max | 96" Max | 182" | 287" |
| SI75-194IOX | 173" | 5-6" | 51-55" | 48° | 48" Max | IOT Specs | 194" | 298" |

- Legend**
OR Outside Rail
ORX Outside Rail Extendable Tail
IO Inside/Outside Rail
IOX Inside/Outside Rail Extendable Tail
ORT Outside Rail Telescopic
IOT Inside/Outside Rail Telescopic



Your local dealer:



Our People. Our Products.

190 State Street
P.O. Box 169
Garner, IA 50438
Telephone: (641) 923-3741 • (800) 321-3741
Fax: (641) 923-2812
Internet: www.stellarindustries.com
Email: sales@stellarindustries.com

* All specifications are subject to change without notification

An Employee Owned Company.
Copyright © 2012 Stellar Industries, Inc.

1/12

Courtesy of MachineMarket