

TAKEUCHI

Those in the know, know Takeuchi

OPERATING PERFORMANCE

Operating Weight	Canopy 10,650 lbs (4,829 kg)
Standard Machine with Bucket and Rubber Tracks	Cab 10,950 lbs (4,966 kg)
Maximum Digging Depth	12 ft 5 in (3,785 mm)
Maximum Dump Height	13 ft 8 in (4,175 mm)
Maximum Reach	20 ft 1.5 in (6,135 mm)
Maximum Bucket Digging Force	11,031 lbs (5,003 kg)
Maximum Arm Digging Force	5,148 lbs (2,335 kg)
Arm Length	5 ft 9 in (1,760 mm)
Slew Speed	9.8 rpm
Traction Force	12,615 lbs (5,722 kg)

ENGINE

Make / Model	Yanmar / 4TNV88
Tier Rating	Interim Tier 4
Cylinders / Displacement	4 / 133 cu in (2.1 L)
Horsepower Gross (SAE J1995)	39.7 hp (29.6 Kw)
Horsepower Net (SAE 1349)	38.0 hp (28.4 Kw)
Rated Engine Speed	2,400 rpm
Maximum Torque	105 ft-lb @ 1,440 rpm (142.8 Nm)
Engine Lubrication	7.8 qt (7.4 L)
Cooling System	13.1 qt (12.4 L)
Fuel Tank Capacity	19.5 gal (74.0 L)
Fuel Consumption (65% of full load)	1.2 gal / hr (4.5 L / hr)
Electrical System	12 volts / 40 amps

UNDERCARRIAGE

Traction Drive Type	Planetary Reduction and Auto Shift Down
Parking Brake	Spring Applied, Hydraulically Released, Multiple Wet Friction Disc
Track Roller Type	Permanently Sealed, Triple Flanged Rollers
Track Rollers (per side)	5 per side
Track Width	15.7 in (400 mm)
Track Ground Contact Length	6 ft 6 in (1,985 mm)
Ground Pressure	Canopy 3.9 psi (27.3 kPa) Cab 4.0 psi (28.1 kPa)
Maximum Travel Speed	
Low Range	1.7 mph (2.8 km / hr)
High Range	3.2 mph (5.2 km / hr)

HYDRAULIC

Pump Type	Variable Displacement Piston Pumps with Two Gear Pumps
Total Hydraulic Flow	43.9 gal / min (166.0 L / min)
Auxiliary Hydraulic Flow	25.6 gal / min (96.9 L / min)
System Operating Pressure	3,045 psi (21 MPa)
Hydraulic Reservoir Capacity	13.7 gal (52.0 L)
Hydraulic System Capacity	23.2 gal (88.0 L)

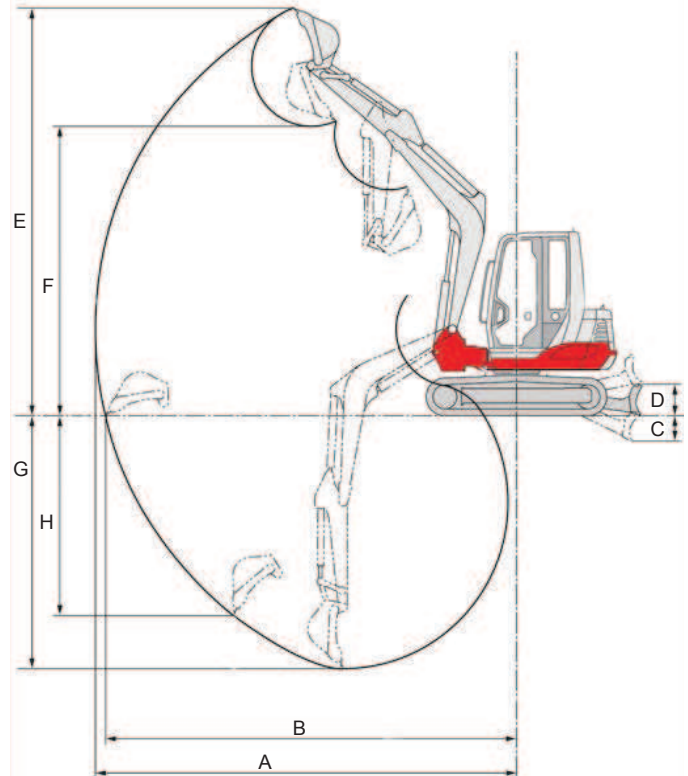
LIFT CAPACITIES

	9 ft 10 in (3.0 m) Radius	
	Over Front, Blade Down	Over Side
+6.6 ft (2.0 m)	2,948 lbs (1,337 kg)	2,561 lbs (1,161 kg)
Ground Level	4,735 lbs (2,148 kg)	2,175 lbs (987 kg)
-3.3 ft (1.0 m)	4,621 lbs (2,096 kg)	2,128 lbs (965 kg)



WORKING DIMENSIONS

A. Maximum Reach	20 ft 1.5 in (6,135 mm)
B. Maximum Reach Ground Level	19 ft 8 in (5,995 mm)
C. Blade Maximum Lower	1 ft 5 in (435 mm)
D. Blade Maximum Lift	1 ft 2 in (355 mm)
E. Maximum Dig Height	19 ft 0 in (5,800 mm)
F. Maximum Dump Height	13 ft 8 in (4,175 mm)
G. Maximum Dig Depth	12 ft 5 in (3,785 mm)
H. Maximum Vertical Dig Depth	9 ft 7 in (990 mm)



Product Features

ENGINE

- ◆ EPA Interim Tier 4 Compliant
- ◆ Automatic Fuel Bleed System
- ◆ Extended Life Coolant
- ◆ Dual Element Air Cleaner
- ◆ Automatic Idle

ELECTRICAL

- ◆ Coolant Temperature and Fuel Level Gauge
- ◆ Audible and/or Visual Indicators for Battery Voltage, Engine Oil Pressure, Engine Coolant Temperature, Air Filter Restriction Indicator, High Speed Travel, Engine Pre-Heat, One-Touch Idle
- ◆ 12 volt System with 40 amp Alternator
- ◆ Work Lights: Boom, Side Cover
- ◆ Engine Preheat
- ◆ Hour Meter
- ◆ Travel Alarm

UNDERCARRIAGE AND FRAME

- ◆ Triple Flanged Track Rollers
- ◆ Sloped Frame with Open Centers
- ◆ 2-Speed Travel with Automatic Shift
- ◆ Heavy Duty Dozer Blade with Float
- ◆ Cast Iron Wrap Around Protective Counterweight
- ◆ 15.7 in Rubber or Steel Tracks
- Power Angle Blade with Float

HYDRAULIC

- ◆ Cushioned Boom, Arm and Swing Cylinders
- ◆ Precise and Responsive Pilot Controls
- ◆ Proportional Slide Switch Control for Auxiliary Circuit
- ◆ Primary Auxiliary Hydraulic Circuit Plumbed to Arm
- ◆ Selectable One-Way and Two-Way Auxiliary Operation
- ◆ Auxiliary Detent (Primary Circuit)
- ◆ High Flow Primary Auxiliary Hydraulics, 25.6 gal / min
- ◆ Pilot Accumulator
- ◆ Large Hydraulic Reservoir with Fluid Level Sight Gauge
- ◆ High Capacity Side-by-Side Hydraulic Oil Cooler and Radiator

WORKING EQUIPMENT

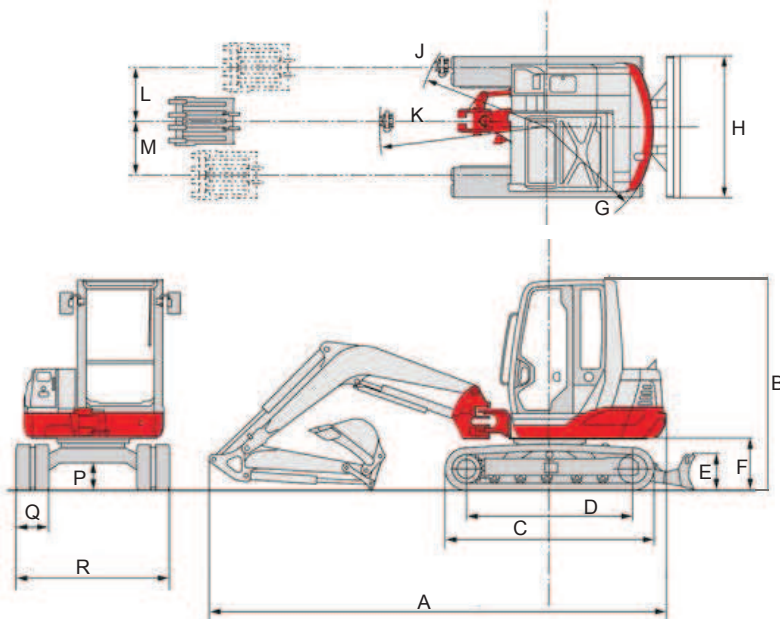
- ◆ Boom Holding Valve with Lift Alarm
- ◆ Main Boom Cylinder Guard
- ◆ Long Arm with Integrated Thumb Mount
- Dual Pin Position Bucket
- Mechanical Bucket Quick Coupler
- Main Pin Hydraulic Thumb

OPERATOR'S STATION

- ◆ ROPS / TOPS / FOPS Four Post Canopy
- ◆ Tilt-up Operator Station
- ◆ Six-Way Adjustable Suspension Seat with Adjustable Arm Rests
- ◆ Quick Change Control Pattern (ISO or SAE)
- ◆ 2 in Retractable Seat Belt
- 3 in Seat Belt
- Cab with Air Conditioner, Heat, Defrost, Windshield Wiper and Washer, AM / FM / MP3 Radio

MACHINE DIMENSIONS

A. Transport Length	18 ft 3 in (5,550 mm)
B. Transport Height	8 ft 3 in (2,515 mm)
C. Undercarriage Length	8 ft 2 in (2,500 mm)
D. Track Ground Contact Length	6 ft 6 in (1,985 mm)
E. Dozer Blade Height	1 ft 5 in (430 mm)
F. Counter Weight Ground Clearance	2 ft 0 in (630 mm)
G. Tail Swing (Slew) Radius	4 ft 8 in (1,435 mm)
H. Dozer Blade Width	6 ft 0 in (1,840 mm)
J. Minimum Front Radius (Offset)	5 ft 8 in (1,740 mm)
K. Minimum Front Radius (Straight)	7 ft 4 in (2,235 mm)
L. Offset Working Distance (Right)	2 ft 4 in (710 mm) @ 60°
M. Offset Working Distance (Left)	2 ft 4.1 in (715 mm) @ 80°
P. Ground Clearance	1 ft 1 in (335 mm)
Q. Track Width (Rubber)	15.7 in (400 mm)
R. Undercarriage Width	6 ft 0 in (1,840 mm)



TAKEUCHI
Those in the know, know Takeuchi

◆ - Standard ○ - Optional