

VOLVO BM 860 TC



Power

— Volvo TD 60 A
 Turbo charged diesel 125 kW (170 hp)
 Full power shift transmission

On-off road performance

Articulated steering
 Torque converter with lock-up clutch
 Excellent weight distribution

Stability

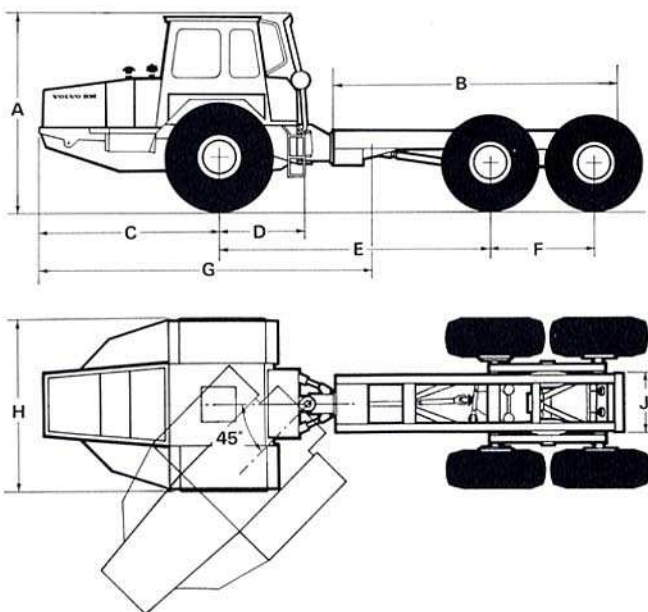
Large wheels
 Floating action rear bogie

Economy

Standard Volvo components — Easy to service
 Low fuel consumption

Safety-Comfort

Impact tested comfort cab — Noise level under
 N 85 dB curve — Finger tip steering



DIMENSIONS				G	16	5	5000
	ft.	in	mm.	H	8	2	2480
A	9	2	2800	J	3	1	840
B	14	0	4150	Specifications based on 860 TC with Front tyres 18.00×25 Rear tyres 16.00×24			
C	8	11	2720				
D	4	2	1280				
E	13	3	4050				
F	5	1	1540				

SPECIFICATION VOLVO BM 860 TC

Engine
 Type Volvo TD 60 A
 6 cyl. in line, direct injection,
 4 stroke cycle. Turbo charged.

Output SAE 125 kW at 41.5 r/s
 170 hp at 2500 r/min

Torque SAE 503 Nm at 33.5 r/s
 51.3 kpm at 2000 r/min
 370 lbf ft at 2000 r/min

Bore × stroke 98.43×120 mm (3⁷/₈×4³/₄ in.)
 Cylindervolume 5.48 dm³ (5.48 l)
 334 in³

Specific fuel consumption 234 g/kWh at 33.5 r/s
 172 g/hph (0.38 lb/hph) DIN

Electrical system
 Voltage 12 V
 Alternator 450 W
 Starter 3 kW (4 hp)
 Battery capacity 152 Ah

Power transmission
 Torque converter Single stage with freewheeling stator and automatic lock-up clutch (DIRECT-DRIVE)

Stall ratio 2,3:1
 Gear box Full power shift with 4 forward, 4 reverse gears

Axles Front; integral reduction and differential lock
 Rear; hub reduction and differential lock
 4 wheel drive engaged and disengaged by pneumatic control

Brakes
 Air operated 6 wheel braking system
 Mechanical parking brake on 4 wheels
 Loading brake incorporated in gear lever
 Automatic Emergency braking system
 Total braking area: 6485 cm² (1005 in.²)
 Air pressure: 6,2—7 kp/cm² (88—100 lbf/in.²)
 Exhaust brake standard

Tyres
 Front wheels 18.00×25/16 EM
 Rear wheels 16.00×24/16 EM

Steering
 Full hydraulic articulated steering with mechanical follow up.
 Steering angle (each direction): 45°
 Nos of. steering wheel turns from lock to lock: 3,5
 Pump capacity: 140 l/min (31 gall./min)
 Max. working pressure: 12 MPa
 120 kp/cm² (1700 lbf/in.²)

Steering cylinders
 Bore × stroke: 100×500 mm

Operating specifications

	Front axle	Tandem axle	Total	
Unladen weight kg/lb	6740/14900	3300/7300	10040/22200	
Max axle pressure kg/lb	10500/23100	20800/45900	31300/69000	
Load incl. superstructure kg/lb	3760/8300	17500/38600	21260/46900	
Overall width	2.480 mm	8 ft 2 in		
height	2.800 mm	9 ft 2 in		
length	9.200 mm	30 ft 2 in		
Ground clearance front	440 mm	1 ft 5 in		
rear	410 mm	1 ft 4 in		
Outer turning radius	7.500 mm	24 ft 7 in		
Speed ranges	1 0—6 km/h 0—3.7 mph	2 0—10 km/h 0— 6.2 mph	3 0—18 km/h 0—11.2 mph	4 0—30 km/h 0—18.6 mph

Hydraulics
 (Standard)
 Pump capacity: 140 l/min (31 gall./min)
 Max. working pressure 12 MPa
 120 kp/cm² (1700 lbf/in.²)

(Extra)
 Pump capacity: 220 l/min (48 gall./min)
 Max. working pressure: 17,5 MPa
 175 kp/cm² (2500 lbf/in.²)

Service capacities:

	imp. galls
Coolant	30 l (6 ¹ / ₂ galls)
Engine oil	17 l (3 ³ / ₄ galls)
Fuel tank	225 l (50 galls)
Transmission oil	22 l (5 galls)
Hydraulic oil	135 l (30 galls)
Compressed air tanks, front:	26 l (5,7 galls)
tanks, rear:	40 l (8,8 galls)

Standard equipment

Impact tested steel safety cab.
 Cab heater with fresh-air intake and defroster
 Adjustable spring-cushioned, shock absorbing seat
 Windscreen washer/wiper
 Rear view mirrors (2)
 Full instrumentation:
 Gauges for: engine rev. counter/hour counter
 engine coolant temperature
 fuel gauge
 compressed air (brakes)

Warning lights for: engine oil pressure
 transmission oil temperature
 transmission oil pressure
 battery charging
 main beam
 parking brake
 direction indicators

Sun visor
 Mountings for safety belts
 Door retainers in open position
 Cigarette lighter and ashtray
 Horn
 Parking/Working lights. Headlight dimmer
 Reversing light
 Direction indicators and hazard warning system
 Interior cab light
 Air cleaner indicator
 Removeable roof panel
 Toolkit/tyre pumping hose
 Enamelled spark-arrester muffler
 Front towing eyes

Extra equipment

Extra fuel filter
 Engine heater, gas or electric
 Rotating flashing beacon
 Towing hitch
 Front wheels 18.00×25 XRB or HRL
 Rear wheels 14.00×24 XRB or HRL
 20.5 ×25 XRB

Spill guard for rear window
 Hydraulic PTO
 Stand and controls for hydraulic crane
 Bunks and stakes for log transport
 Underbody protection
 Cab ventilator
 Fire extinguisher
 Safety belt
 Radio
 Long chassis version

We reserve the right to change specifications and design without notice.

VOLVO BM

VOLVO BM AB ESKILSTUNA SWEDEN

Ref.No. 21 1 669 1155
 ENGELSKA

Courtesy of Machine.Market