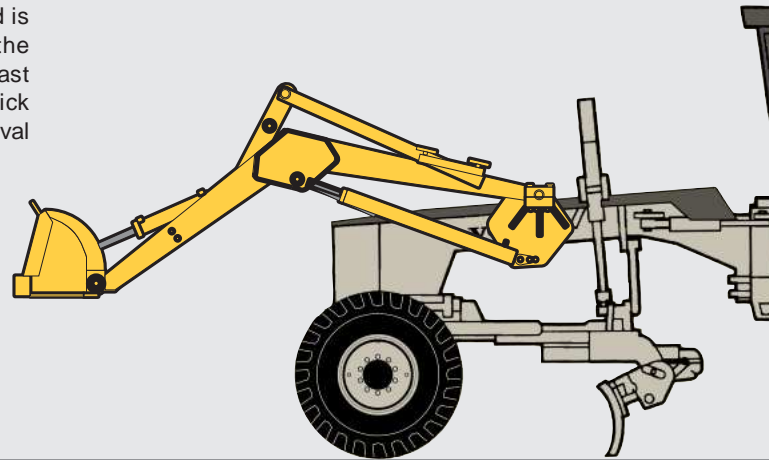


UTILITY FRONT END LOADER

The Utility Front End Loader can load tandem trucks and is ideal for cleanup of trash and loose materials around the job site. Backfilling behind curbs and around walls is fast and easy and eliminates handwork. An optional, "quick detach" feature is available on request and allows removal of the loader in less than 45 minutes.

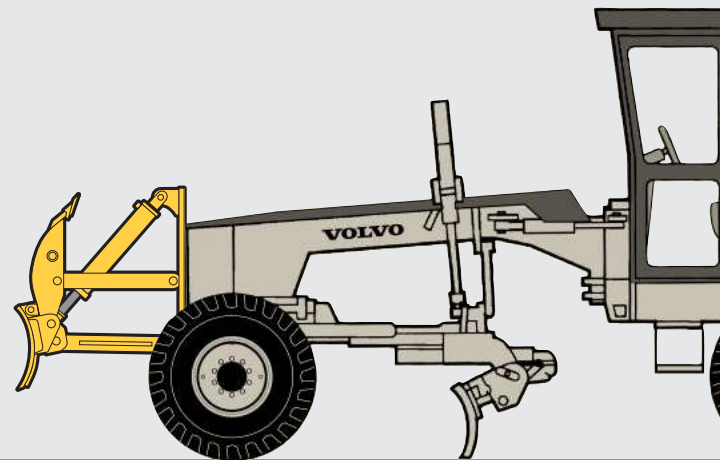
Dimensions:		
Bucket capacity	1/2 cu yd	(0,4 m ³)
Height of bucket at full dump	9' 6"	(2 896 mm)
Height of boom at full lift	10' 3"	(3 124 mm)
Increase in length full raised	3' 6"	(1 067 mm)
Increase in length bucket on ground	4' 4"	(1 321 mm)
Bucket overall width	7' 0"	(2 134 mm)



DOZER BLADE / SCARIFIER

Ideal for back blading in tight spaces such as alley ways or against walls or to knock down piles of stone or dirt for grading. Equipped with four swing down scarifier shanks that release automatically when reversing without raising the blade. Available in 7' (2,1 m) or 8' (2,4 m) length. 8' (2,4 m) recommended on AWD models for optimum reach outside the tires.

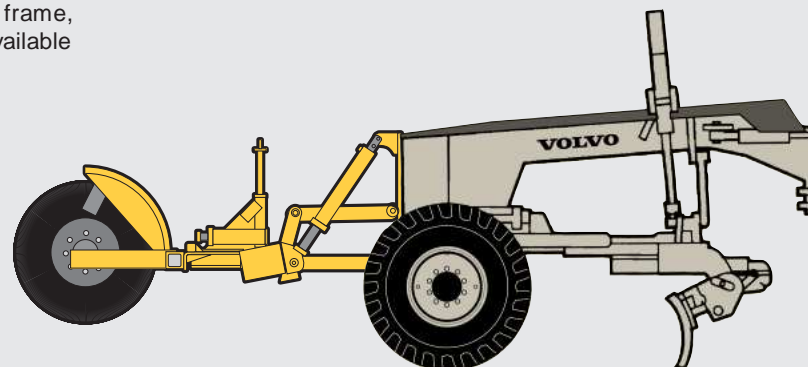
Dimension:	
Increase in length	39" (990 mm)



ROTARY BROOM

Speeds cleanup of intersections, job sites and roadways after maintenance. Available with manually adjustable or hydraulically adjustable broom angle. Optional mounting arrangements facilitate mounting the broom to the frame, dozer blade or front end loader. Quick couplers are available on request.

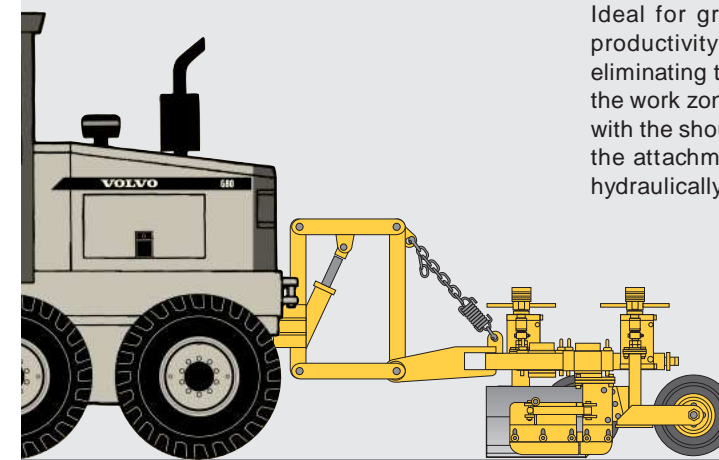
Dimensions:		
Broom length	6'	(1,8 m)
Broom diameter	32"	(813 mm)
Broom material	polypropylene bristles standard (crimped wire or poly/ wire combination bristles available on request)	
Angling available	30° each side	



WINDROW ELIMINATOR

Ideal for gravel road maintenance, the Windrow Eliminator increases productivity by eliminating the windrow created when grading, thereby, eliminating the need for a second pass and reducing the time spent to flag the work zone. The "floating" design allows the attachment to stay in contact with the shoulder even during terrain changes. The parallel lift system brings the attachment up quickly to clear obstacles. Available with manually or hydraulically adjustable wheels.

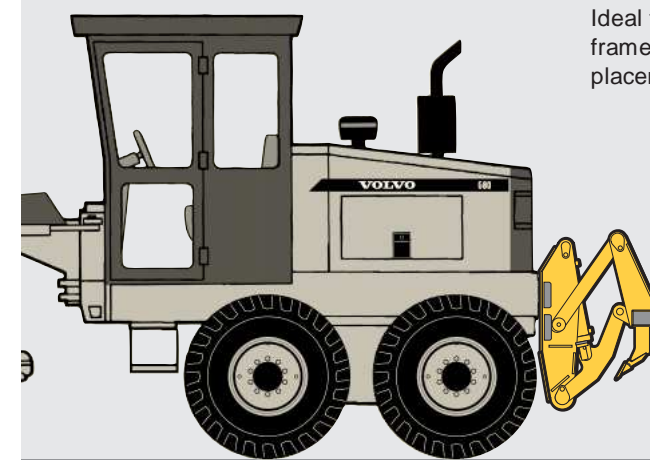
Dimensions:		
Moldboard	10' x 9 3/4" x 1/2"	(3 m x 248 mm x 13 mm)
Trailing wheels (tube type mounted on swivels to prevent scuffing)	16"	(406 mm)
Adjustments (laterally)	24"	(610 mm)
Weight	1,650 lb	(748 kg)
Angle (at 35° the blade is within machine width)	45° right or left	



RIPPIFIER

Ideal for loosening hard packed aggregate surfaces. Mounted to the rear frame with standard attachment brackets. Shanks are easily removed and placement locations allow for single tooth ripping.

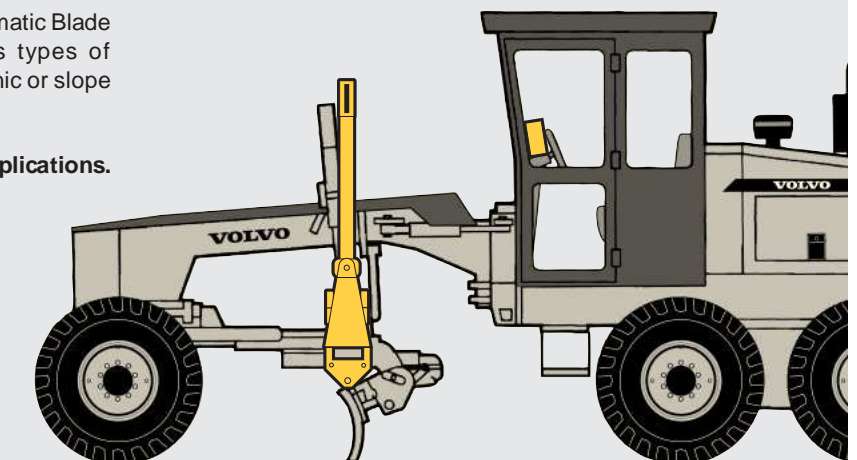
Dimensions:		
Width of cut	43"	(1 108 mm)
Depth of cut	12"	(304 mm)
Increase in length	22"	(558 mm)
Number of shanks (included)	7	
Shank size	3/4" x 3" x 17"	
Tips	(19 mm x 76 mm x 431 mm) replaceable	



AUTOMATIC BLADE CONTROL

All Volvo Compact Graders can be fitted with Automatic Blade Control for fine grading applications. Various types of automatic blade control can be selected (laser, sonic or slope control) to suit your requirements.

Consult your dealer for a system to suit your applications.



COMPACT GRADER ATTACHMENTS

The Volvo family of Compact Grader Attachments allows the operator to complete all operations from site clearing to fine grading and clean up with a single unit.

Volvo Compact Graders are designed to easily and efficiently function in a wide variety of road side and job site applications through the use of one or more machine matched attachments.

MODEL	G60	G66	G80	G86
ATTACHMENT				
Automatic Blade Control	●	●	●	●
Counter Weight	●	●	●	●
Dozer Blade / Scarifier	●	●	●	●
Rippifier	●	●	●	●
Rotary Broom	●	●	●	●
Side Dozer	●	●	●	●
Utility Front End Loader	●	●	●	●
"V" Scarifier	●	●	●	●
Windrow Eliminator	●	●	●	●

Consult your dealer for hydraulic and mounting requirements.

Your safety and the safety of those around you depends on using care and judgement when operating and servicing your grader. Do not operate the grader until you read and understand the warnings and instructions in the operator's manual. www.volvo.com

Under our policy of continuous product development and improvement, we reserve the right to change the specifications and design without prior notice. The illustrations do not necessarily show the standard versions of the attachment or the machine.

VOLVO

Volvo Construction Equipment Group

Ref. No. 21 2 434 1031
Printed in Canada 1/2001- 10.0

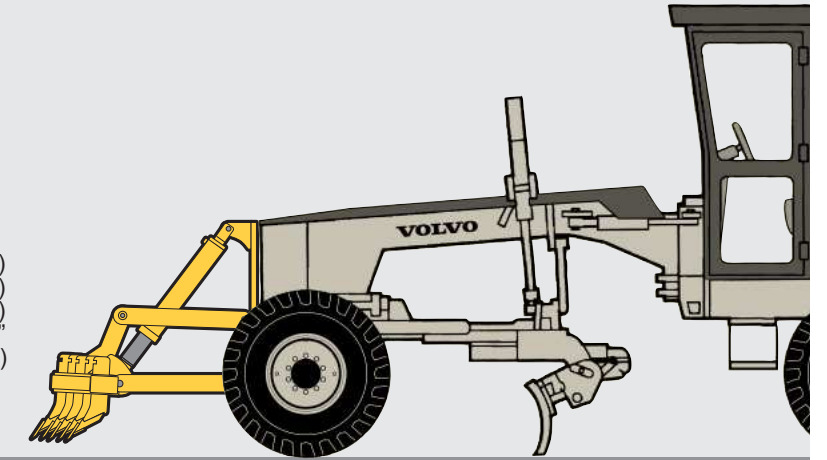
GDR

VOLVO COMPACT GRADER ATTACHMENTS

"V" SCARIFIER

The "V" Scarifier mounts to the nose plate of the grader and is ideal for use in loosening hard packed aggregate surfaces. The "V" Scarifier is easily removed to facilitate change to other front mounted attachments.

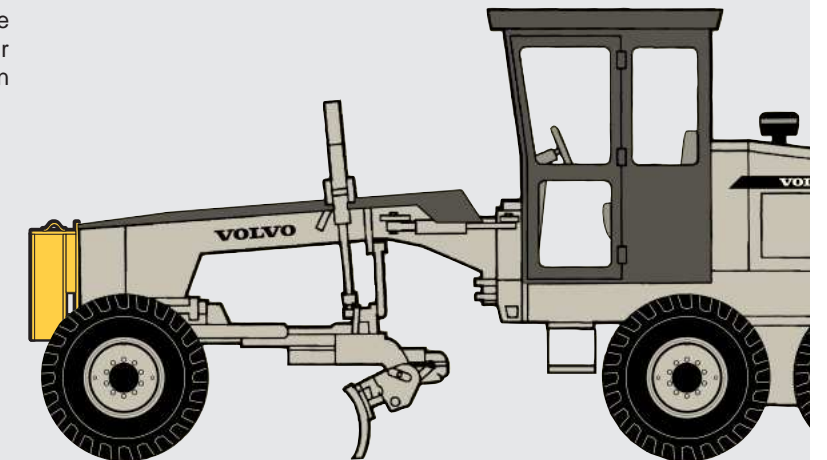
Dimensions:
 Number of shanks (7 included) up to 9
 Cut width 43" (1 092 mm)
 Cut depth 12" (305 mm)
 Increased in length 34" (864 mm)
 Shank size 3/4" x 3" x 17"
 (19 mm x 76 mm x 431 mm) replaceable
 Tips



COUNTER WEIGHT

The Counter Weight is attached to the nose plate of the grader and provides a counter balance for rear mounted attachments for improved traction and stability.

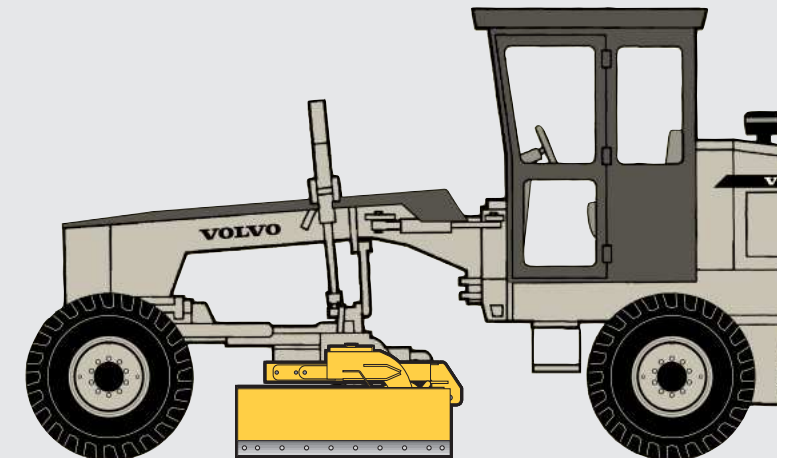
Dimensions:
 Weight 800 lb (363 kg)
 Increase in length 16" (406 mm)



SIDE DOZER

The Side Dozer is used to remove and/or retrieve displaced material under highway guard rails. The Side Dozer is installed in place of the standard moldboard. Angle and tilt are hydraulically controlled using the standard moldboard controls. The Side Dozer can also be used to clear shallow ditches and culverts of debris.

Dimensions:
 Width 48" (1 219 mm)
 Height 11" (279 mm)
 Reach 99" (2 515 mm)
 (depending on model)
 Weight 1,025 lb (465 kg)



VOLVO

Courtesy of Machine.Market